



## Bin Clamp

- **Safe:** Holds bins down over rough terrain
- **Universal:** Fits nearly all carriages
- **Fast:** Handle 3 or 4 bins at one time
- **Easy:** Bolts on/off like standard attachments
- **Versatile:** Fits both Class II and III carriages



**BROKEN BINS**



**DOUBLE WIDE**



**REPLACEMENT**

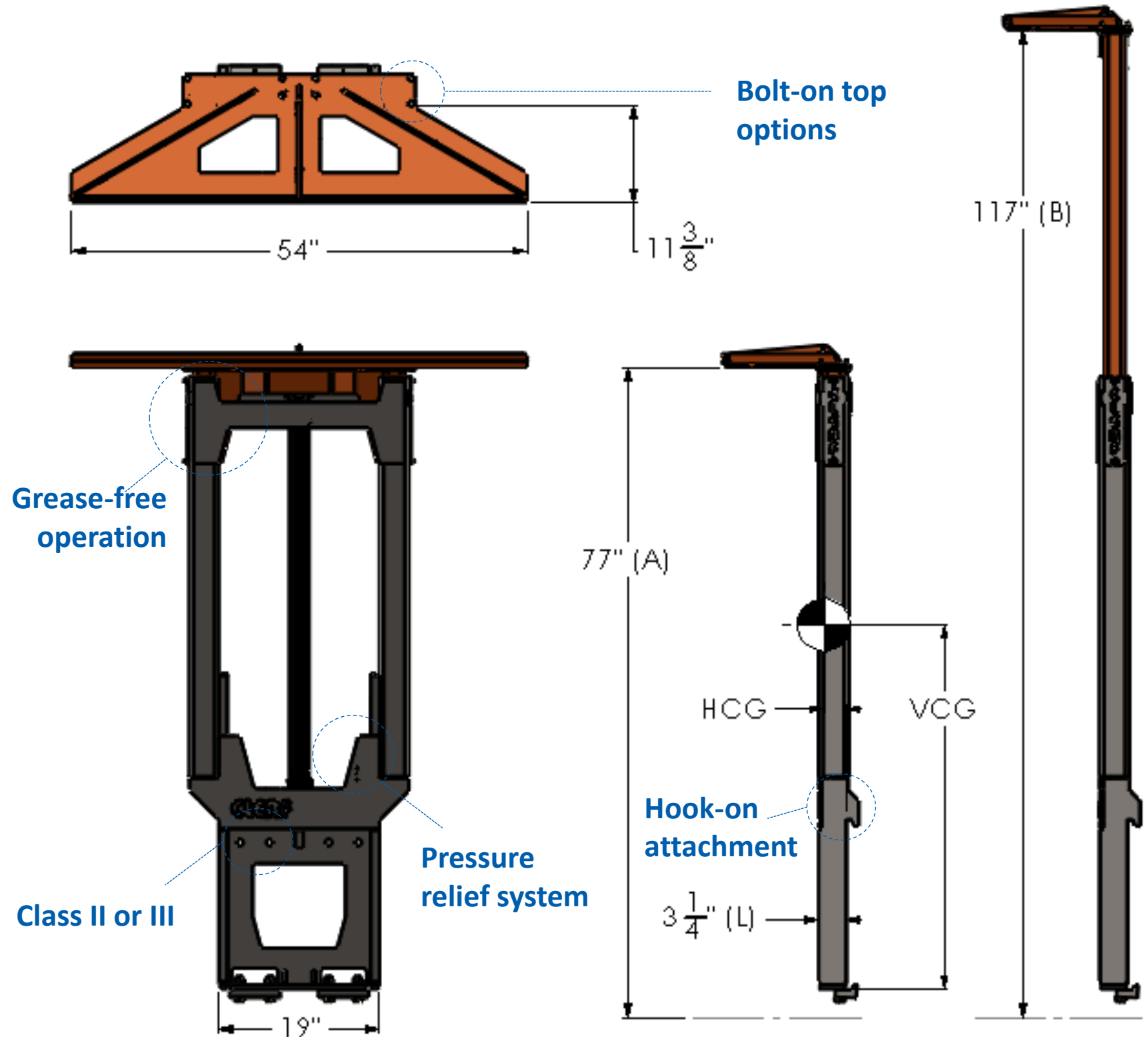


**ANY BRAND**



# Specifications

Model	H650A
Capacity @ 24in LC	Call
Carriage Class	II or III
Weight	385 lbs
Lost load (L)	3.25 in
HCG	2.64 in
VCG	43.15 in
<i>Bin Clamping Range</i>	
Lowered (A)	77 in
Raised (B)	117 in



## Bin Clamp

Clerf Equipment | (888) 338-0077 | [goclerf.com](http://goclerf.com)