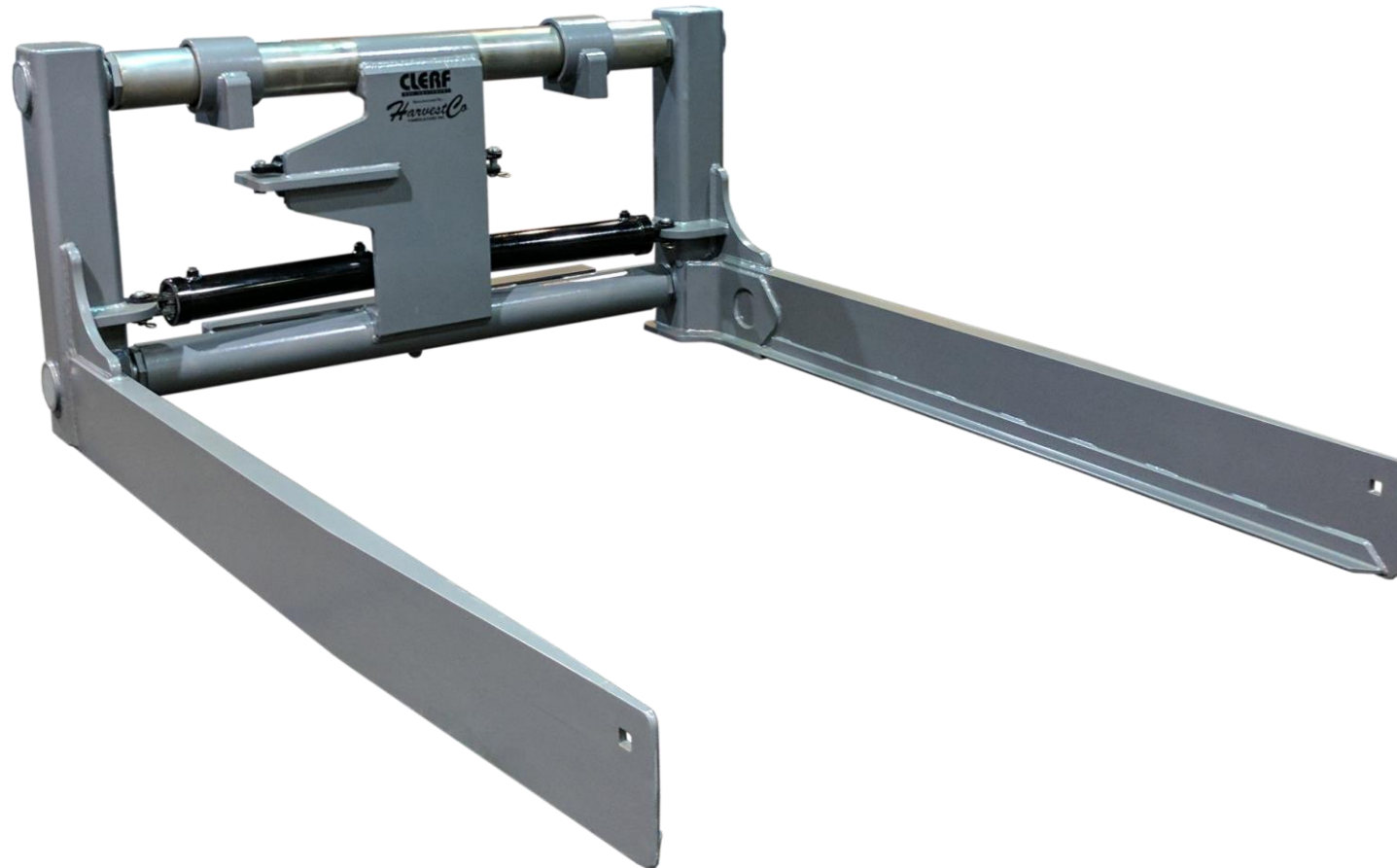


# Cotton Module Handler



## Benefits

- Fast operating speeds
- Custom mounting for loaders, telehandlers, and more
- Will not damage wrap
- Grabs modules from both directions
- Customizable with flow controls and integral sideshift
- Greaseless construction to keep cotton clean

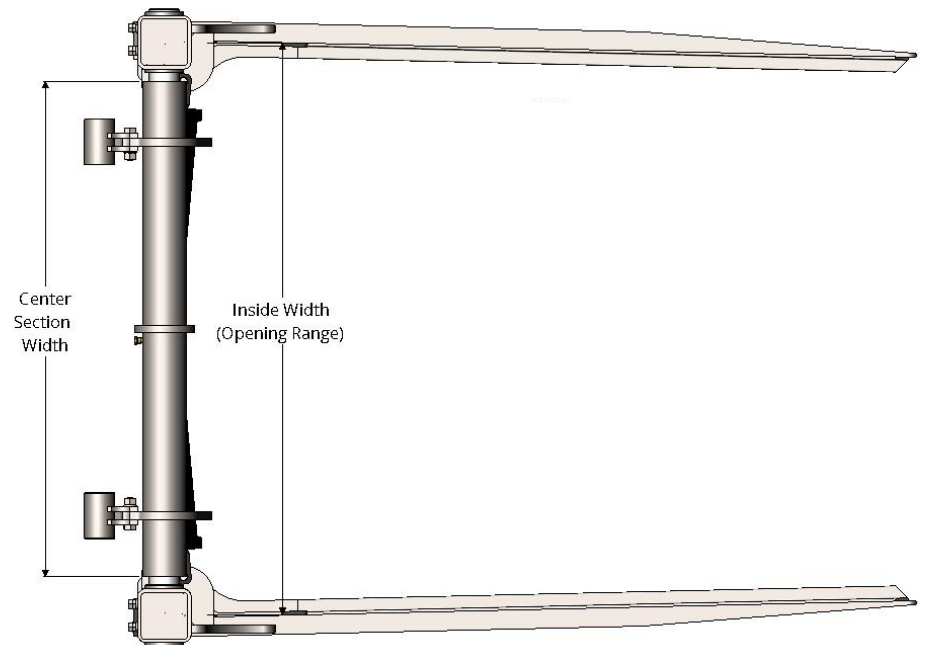
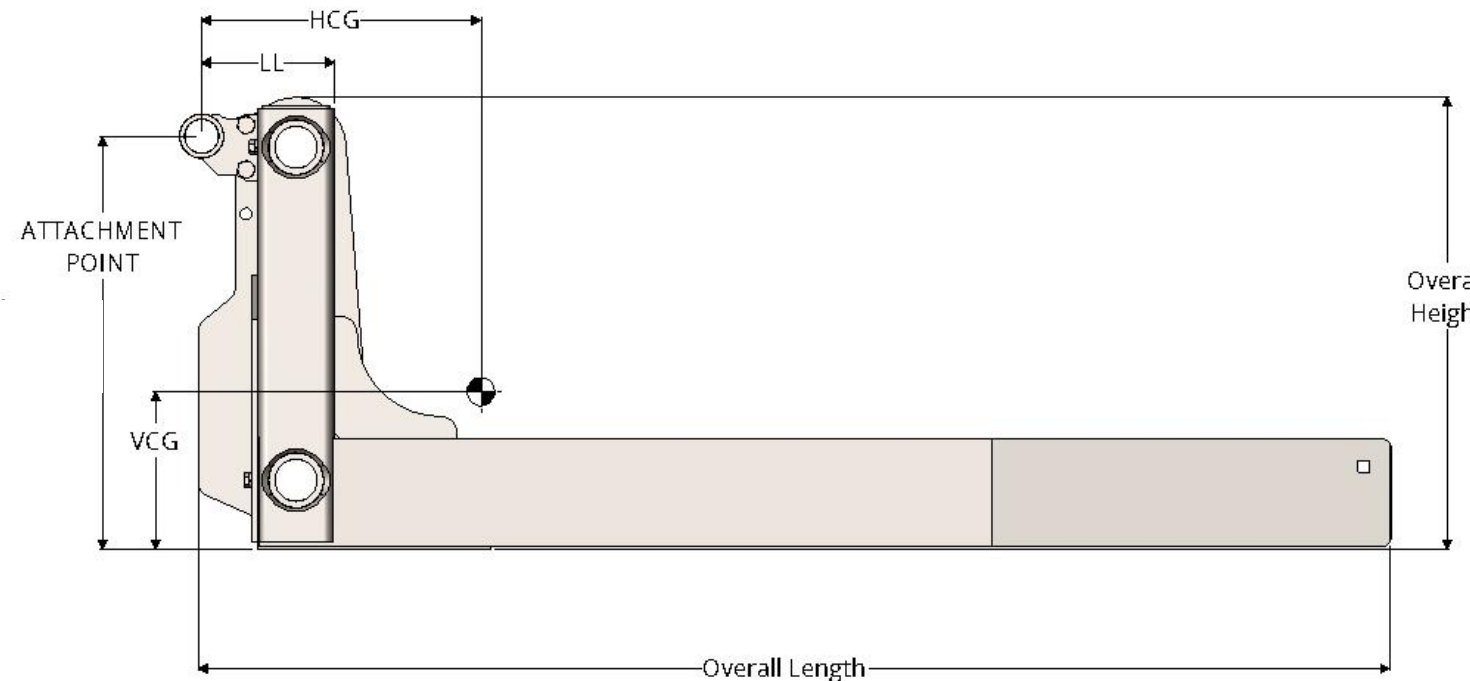


C3150

# Specifications

Cotton Module Handler 2015, inches, pounds, updated 11/29/2016

MODEL NUMBER	FEATURES	CLOSED	OPEN		LENGTH	HEIGHT	WEIGHT (LBS)	HCG	VCG	LC	CAPACITY @ LC	LOST LOAD (LL)	MAX SS FROM CENTER	LATERAL CG AT MAX SS
C3150	Sideshifting, Greaseless	71.5	107.5	66.5	104	45	3200	22.34	14.38	48	11500	9-12	9	8.78
EC2150	Sideshifting	71.5	107.5	66.5	107	45	3230	22.34	14.38	48	11500	9-12	9	8.78
C3100	Greaseless	71.5	107.5	66.5	104	46	3240	25.06	14.37	48	11500	9-12		
EC2100		71.5	107.5	66.5	107	46	3270	25.06	14.37	48	11500	9-12		
C1310	Light-duty, Greaseless	73.50	109.6	66.5	99.50	32.88	1900	18.00	11.70	48	8000	12.5		



## Cotton Module Handler

Clerf Equipment | (888) 338-0077 | [goclerf.com](http://goclerf.com)