



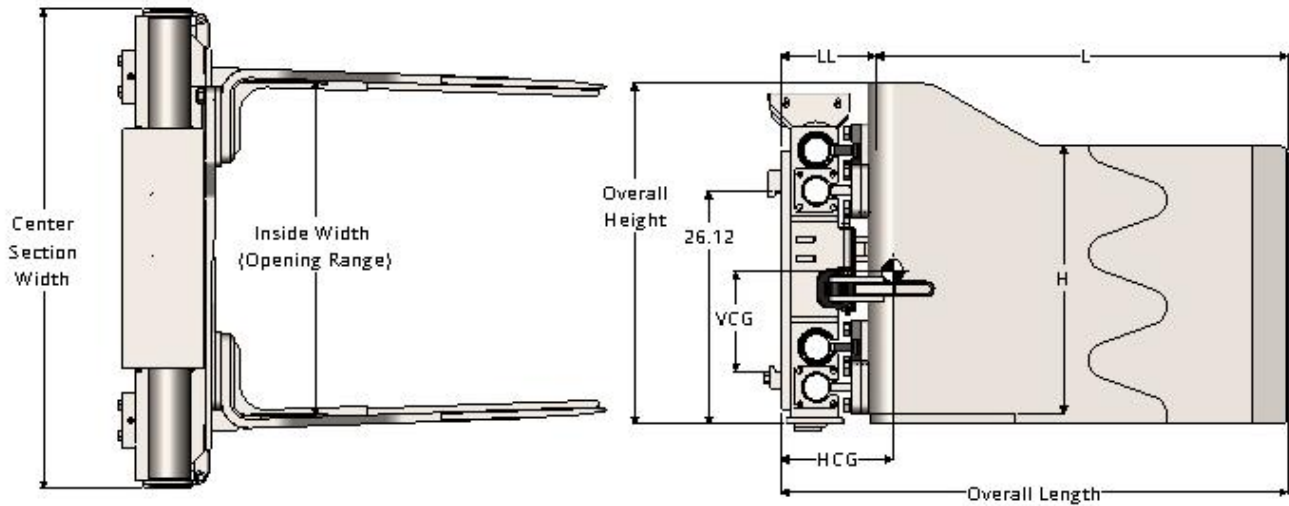
# Clamp Specification Data

## 2016 Models

- 1.....Cargo Clamps
- 3.....Light-duty Clamps
- 4.....Sideshifting Clamps
- 5.....Non-sideshift Clamps
- 6.....Heavy-duty Clamps

# Cargo Clamps

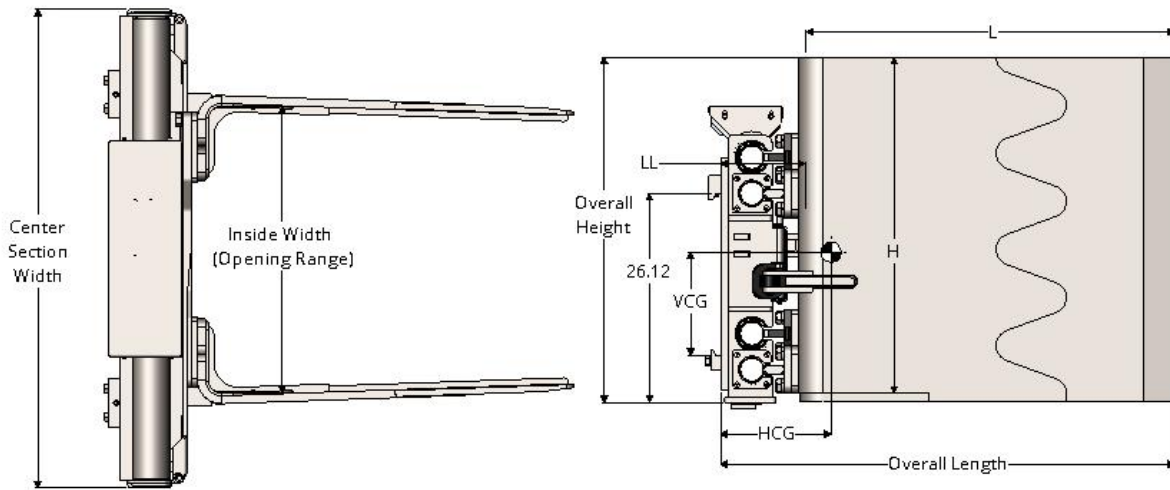
## C950 Model Specifications



CLAMP MODEL NUMBER	PADDLE INFORMATION		CENTER SECTION WIDTH	OVERALL DIMENSIONS			CENTERS OF GRAVITY		LOAD CENTER SPECS			MAXIMUM SIDESHIFT SPECS		
	SIZE (HxL)	INSIDE WIDTH CLOSED    OPEN		LENGTH	HEIGHT	WEIGHT (lbs)	HCG	VCG	LC	CAPACITY @ LC (lbs)	LOST LOAD (LL)	MAX SS FROM CENTERLINE	LATERAL CG AT MAX SS	
<b>30" Models</b>														
<b>Mini</b>														
C950M3032	30 X 32	32.5    96.5	48	42.75	38	2413	9.70	11.43	24	5000	10.75	16	10.00	
C950M3042	30 x 42	32.5    96.5	48	52.75	38	2563	11.79	11.30	24	5000	10.75	16	10.59	
C950M3044	30 x 44	32.5    96.5	48	54.75	38	2589	12.20	11.28	24	5000	10.75	16	10.65	
C950M3046	30 x 46	32.5    96.5	48	56.75	38	2615	12.63	11.27	24	5000	10.75	16	10.70	
C950M3048	30 x 48	32.5    96.5	48	58.75	38	2641	13.06	11.25	24	5000	10.75	16	10.76	
C950M3050	30 x 50	32.5    96.5	48	60.75	38	2667	13.51	11.23	24	5000	10.75	16	10.81	
C950M3054	30 x 54	32.5    96.5	48	64.75	38	2719	14.43	11.19	24	5000	10.75	16	10.91	
<b>Narrow</b>														
C950N3032	30 X 32	34.5    102.5	54	42.75	38	2462	9.58	11.38	24	5000	10.75	17	10.63	
C950N3042	30 x 42	34.5    102.5	54	52.75	38	2498	11.97	10.98	24	5000	10.75	17	11.19	
C950N3044	30 x 44	34.5    102.5	54	54.75	38	2524	12.39	10.96	24	5000	10.75	17	11.25	
C950N3046	30 x 46	34.5    102.5	54	56.75	38	2550	12.82	10.94	24	5000	10.75	17	11.31	
C950N3048	30 x 48	34.5    102.5	54	58.75	38	2576	13.27	10.92	24	5000	10.75	17	11.37	
C950N3050	30 x 50	34.5    102.5	54	60.75	38	2602	13.72	10.91	24	5000	10.75	17	11.42	
C950N3054	30 x 54	34.5    102.5	54	64.75	38	2654	14.66	10.87	24	5000	10.75	17	11.53	
<b>Standard</b>														
C950S3032	30 X 32	32.5    104.5	60	42.75	38	2553	9.33	11.30	24	5000	10.75	18	10.97	
C950S3042	30 x 42	32.5    104.5	60	52.75	38	2592	11.63	10.91	24	5000	10.75	18	11.43	
C950S3044	30 x 44	32.5    104.5	60	54.75	38	2618	12.04	10.90	24	5000	10.75	18	11.50	
C950S3046	30 x 46	32.5    104.5	60	56.75	38	2644	12.46	10.88	24	5000	10.75	18	11.56	
C950S3048	30 x 48	32.5    104.5	60	58.75	38	2670	12.89	10.86	24	5000	10.75	18	11.62	
C950S3050	30 x 50	32.5    104.5	60	60.75	38	2696	13.34	10.85	24	5000	10.75	18	11.69	
C950S3054	30 x 54	32.5    104.5	60	64.75	38	2747	14.25	10.82	24	5000	10.75	18	11.81	
<b>Wide</b>														
C950W3032	30 x 32	28.5    100.5	64	42.75	38	2613	9.17	11.25	24	5000	10.75	18	10.59	
C950W3042	30 x 42	28.5    100.5	64	52.75	38	2763	11.14	11.15	24	5000	10.75	18	11.00	
C950W3044	30 x 44	28.5    100.5	64	54.75	38	2789	11.52	11.13	24	5000	10.75	18	11.07	
C950W3046	30 x 46	28.5    100.5	64	56.75	38	2815	11.92	11.11	24	5000	10.75	18	11.14	
C950W3048	30 x 48	28.5    100.5	64	58.75	38	2841	12.33	11.10	24	5000	10.75	18	11.20	
C950W3050	30 x 50	28.5    100.5	64	60.75	38	2867	12.75	11.08	24	5000	10.75	18	11.26	
C950W3054	30 x 54	28.5    100.5	64	64.75	38	2918	13.63	11.05	24	5000	10.75	18	11.38	
Model Year: 2015		Dimensions: inches			Weight: pounds			Updated: 03/15/2016			HarvestCo Fabricators, Inc.			

# Cargo Clamps

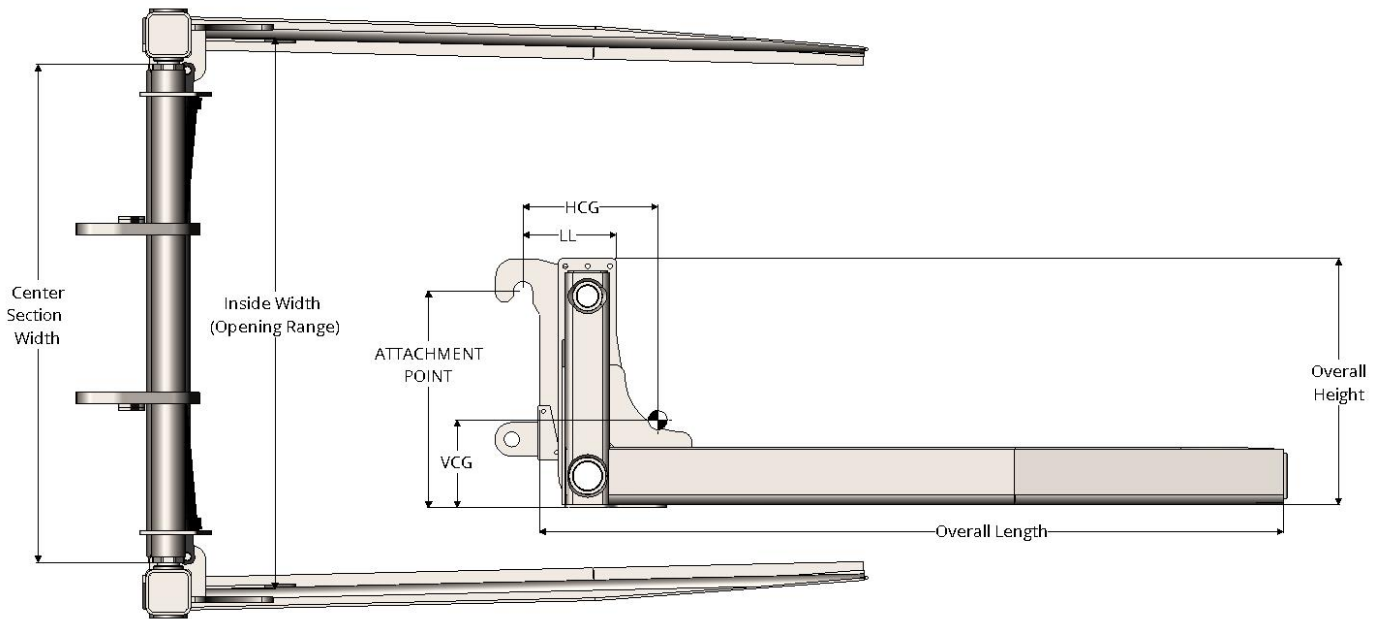
## C950 Model Specifications



CLAMP MODEL NUMBER	PADDLE INFORMATION			CENTER SECTION WIDTH	OVERALL DIMENSIONS			CENTERS OF GRAVITY		LOAD CENTER SPECS			MAXIMUM SIDESHIFT SPECS	
	SIZE (HxL)	INSIDE WIDTH CLOSED	OPEN		LENGTH	HEIGHT	WEIGHT (lbs)	HCG	VCG	LC	CAPACITY @ LC (lbs)	LOST LOAD (LL)	MAX SS FROM CENTERLINE	LATERAL CG AT MAX SS
<b>42" Models</b>														
<b>Mini</b>														
C950M4232	42 x 32	32.5	96.5	48	42.75	43	2575	10.76	12.76	24	5000	10.75	16	10.57
C950M4242	42 x 42	32.5	96.5	48	52.75	43	2782	13.33	12.95	24	5000	10.75	16	10.98
C950M4244	42 x 44	32.5	96.5	48	54.75	43	2817	13.83	12.98	24	5000	10.75	16	11.04
C950M4246	42 x 46	32.5	96.5	48	56.75	43	2853	14.34	13.01	24	5000	10.75	16	11.11
C950M4248	42 x 48	32.5	96.5	48	58.75	43	2888	14.86	13.04	24	5000	10.75	16	11.17
C950M4250	42 x 50	32.5	96.5	48	60.75	43	2924	15.40	13.07	24	5000	10.75	16	11.23
C950M4254	42 x 54	32.5	96.5	48	64.75	43	2995	16.50	13.12	24	5000	10.75	16	11.34
<b>Narrow</b>														
C950N4232	42 x 32	34.5	102.5	54	42.75	43	2625	10.63	12.69	24	5000	10.75	17	10.99
C950N4242	42 x 42	34.5	102.5	54	52.75	43	2717	13.53	12.68	24	5000	10.75	17	11.66
C950N4244	42 x 44	34.5	102.5	54	54.75	43	2752	14.04	12.71	24	5000	10.75	17	11.73
C950N4246	42 x 46	34.5	102.5	54	56.75	43	2788	14.56	12.75	24	5000	10.75	17	11.80
C950N4248	42 x 48	34.5	102.5	54	58.75	43	2824	15.09	12.78	24	5000	10.75	17	11.86
C950N4250	42 x 50	34.5	102.5	54	60.75	43	2859	15.64	12.81	24	5000	10.75	17	11.93
C950N4250	42 x 54	34.5	102.5	54	64.75	43	2930	16.76	12.87	24	5000	10.75	17	12.05
<b>Standard</b>														
C950S4232	42 x 32	32.5	104.5	60	42.75	43	2715	10.36	12.57	24	5000	10.75	18	11.36
C950S4242	42 x 42	32.5	104.5	60	52.75	43	2810	13.17	12.56	24	5000	10.75	18	11.94
C950S4244	42 x 44	32.5	104.5	60	54.75	43	2846	13.66	12.60	24	5000	10.75	18	12.02
C950S4246	42 x 46	32.5	104.5	60	56.75	43	2881	14.17	12.63	24	5000	10.75	18	12.09
C950S4248	42 x 48	32.5	104.5	60	58.75	43	2917	14.69	12.66	24	5000	10.75	18	12.17
C950S4250	42 x 50	32.5	104.5	60	60.75	43	2952	15.22	12.69	24	5000	10.75	18	12.24
C950S4254	42 x 54	32.5	104.5	60	64.75	43	3023	16.32	12.75	24	5000	10.75	18	12.37
<b>Wide</b>														
C950W4232	42 x 32	28.5	100.5	64	42.75	43	2775	10.19	12.50	24	5000	10.75	18	11.00
C950W4242	42 x 42	28.5	100.5	64	52.75	43	2982	12.62	12.70	24	5000	10.75	18	11.43
C950W4244	42 x 44	28.5	100.5	64	54.75	43	3017	13.09	12.73	24	5000	10.75	18	11.53
C950W4246	42 x 46	28.5	100.5	64	56.75	43	3070	13.83	12.77	24	5000	10.75	18	11.59
C950W4248	42 x 48	28.5	100.5	64	58.75	43	3106	14.33	12.80	24	5000	10.75	18	11.67
C950W4250	42 x 50	28.5	100.5	64	60.75	43	3124	14.58	12.82	24	5000	10.75	18	11.78
C950W4254	42 x 54	28.5	100.5	64	64.75	43	3195	15.64	12.87	24	5000	10.75	18	11.92
Model Year: 2015		Dimensions: inches			Weight: pounds			Updated: 03/15/2016			HarvestCo Fabricators, Inc.			

# Light-Duty Clamps

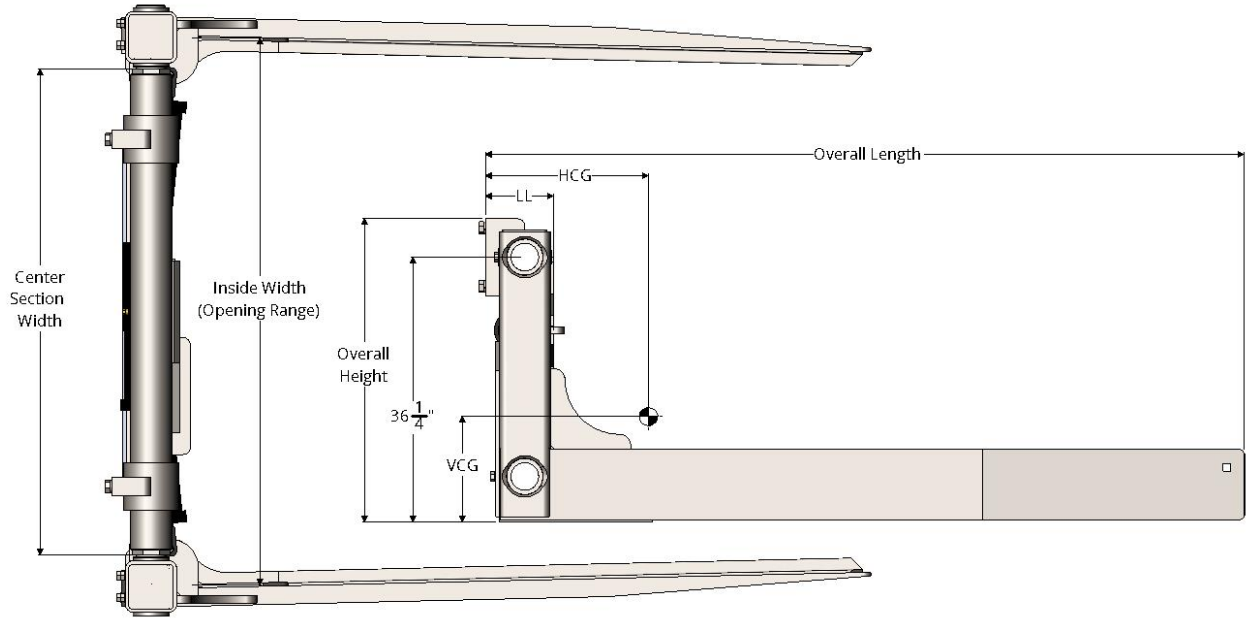
## C1300 Model Specifications



CLAMP MODEL NUMBER	FORK INFORMATION		CENTER SECTION WIDTH	QUICK ATTACH POINT	OVERALL DIMENSIONS			CENTERS OF GRAVITY		LOAD CENTER SPECS			MAXIMUM SIDESHIFT SPECS	
	INSIDE WIDTH				LENGTH	HEIGHT	WEIGHT (lbs)	HCG	VCG	LC	CAPACITY @ LC (lbs)	LOST LOAD (LL)	MAX SS FROM CENTERLINE	LATERAL CG AT MAX SS
	CLOSED	OPEN												
C1300NS (Qfit)	73.50	109.60	66.50	35.25	99.50	32.88	1900	18.00	11.70	48	8000	12.5	9	NA
C1300NS (IT28)	73.50	109.60	66.50	28.50	99.50	32.88	1857	18.00	11.70	48	8000	12.5	9	NA
<i>Model Year: 2015</i>		<i>Dimensions: inches</i>			<i>Weight: pounds</i>			<i>Updated: 04/11/2016</i>		<i>HarvestCo Fabricators, Inc.</i>				

# Sideshifting Clamps

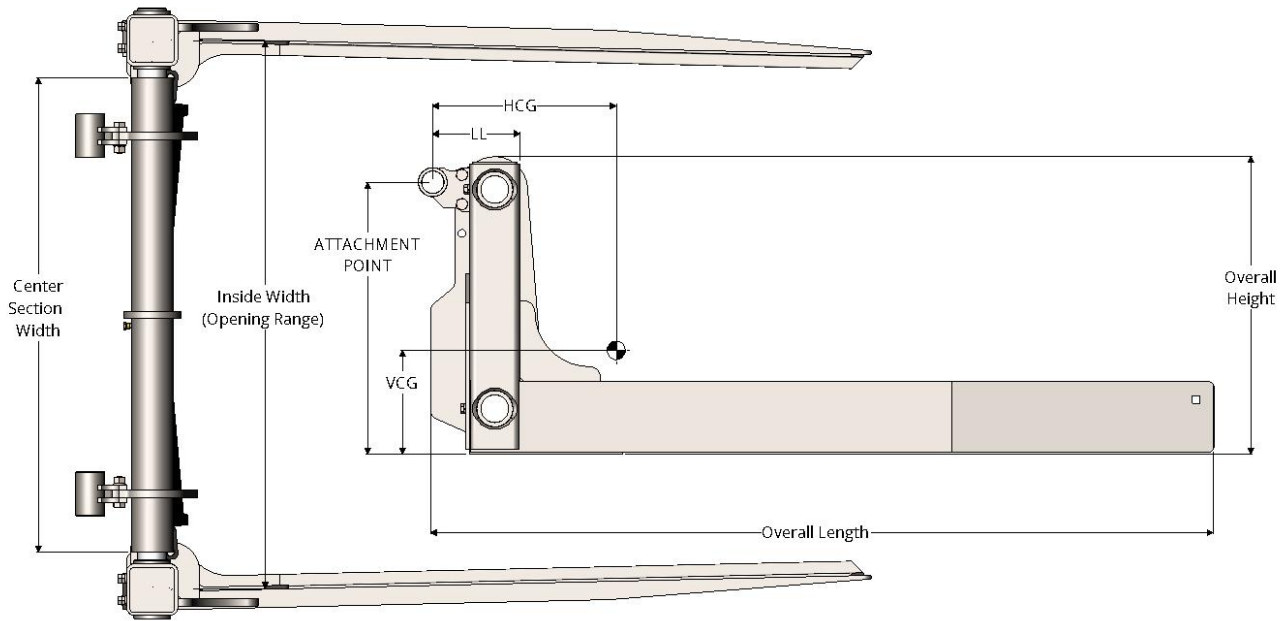
## EC2000 and C3000 Model Specifications



CLAMP MODEL NUMBER	FORK INFORMATION		CENTER SECTION WIDTH	OVERALL DIMENSIONS			CENTERS OF GRAVITY		LOAD CENTER SPECS			MAXIMUM SIDESHIFT SPECS	
	INSIDE WIDTH			LENGTH	HEIGHT	WEIGHT (lbs)	HCG	VCG	LC	CAPACITY @ LC (lbs)	LOST LOAD (LL)	MAX SS FROM CENTERLINE	LATERAL CG AT MAX SS
	CLOSED	OPEN											
<b>C3000 Standard Models</b>													
<b>Sideshifting</b>													
C3000SSMA	71.5	107.5	66.5	104	45	3228	22.18	14.39	48	11500	8.75	9	8.72
C3000SSSD	71.5	107.5	66.5	104	43	3208	22.34	14.37	48	11500	8.75	9	8.76
C3000SSCL	71.5	107.5	66.5	104	43	3208	22.34	14.37	48	11500	8.75	9	8.76
C3000SSMA04	71.5	107.5	66.5	104	46	3941	19.55	15.51	48	11500	8.75	9	7.14
<b>EC2000 Economy Models</b>													
<b>Sideshifting</b>													
EC2000SSMA	71.5	107.5	66.5	107	45	3228	22.18	14.39	48	11500	12	9	8.72
EC2000SSSD	71.5	107.5	66.5	107	43	3208	22.34	14.37	48	11500	12	9	8.76
EC2000SSCL	71.5	107.5	66.5	107	43	3208	22.34	14.37	48	11500	12	9	8.76
Year: 2015	Dimensions: inches			Weight: pounds			Updated: 11/29/2016			HarvestCo Fabricators, Inc.			

# Non-Sideshift Clamps

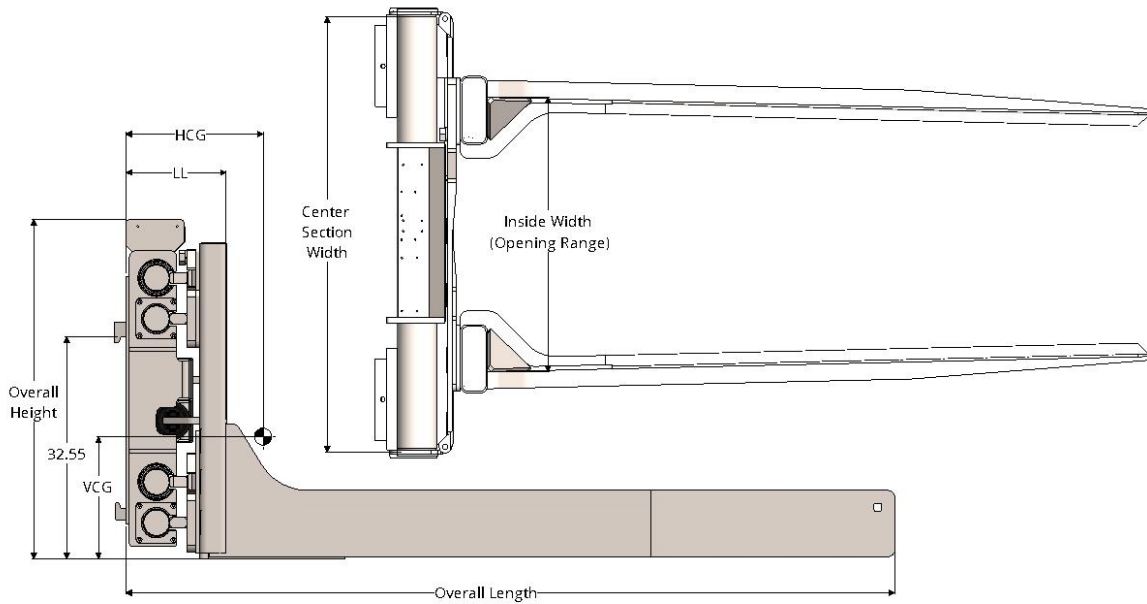
## EC2000 and C3000 Model Specifications



CLAMP MODEL NUMBER	FORK INFORMATION		CENTER SECTION WIDTH	QUICK ATTACH POINT	OVERALL DIMENSIONS			CENTERS OF GRAVITY		LOAD CENTER SPECS			MAXIMUM SIDESHIFT SPECS	
	INSIDE WIDTH				LENGTH	HEIGHT	WEIGHT (lbs)	HCG	VCG	LC	CAPACITY @ LC (lbs)	LOST LOAD (LL)	MAX SS FROM CENTERLINE	LATERAL CG AT MAX SS
	CLOSED	OPEN												
<b>C3000 Standard Models</b>														
<b>Non-Sideshift</b>														
C3000NSPMR1	71.5	107.5	66.5	37.25	104	42	3226	25.16	14.23	48	11500	8.75	9	NA
C3000NSPMR5	71.5	107.5	66.5	41.25	104	46	3240	25.06	14.37	48	11500	8.75	9	NA
C3000NSPMR8	71.5	107.5	66.5	44.25	104	48	3261	24.91	14.51	48	11500	8.75	9	NA
<b>EC2000 Economy Models</b>														
<b>Non-Sideshift</b>														
EC2000NSPMR1	71.5	107.5	66.5	37.25	107	42	3226	25.16	14.23	48	11500	12	9	NA
EC2000NSPMR5	71.5	107.5	66.5	41.25	107	46	3240	25.06	14.37	48	11500	12	9	NA
EC2000NSPMR8	71.5	107.5	66.5	44.25	107	48	3261	24.91	14.51	48	11500	12	9	NA
Model Year: 2015		Dimensions: inches			Weight: pounds			Updated: 11/29/2016			HarvestCo Fabricators, Inc.			

# Heavy-Duty Clamps

## C4000 Model Specifications



CLAMP MODEL NUMBER	FORK INFORMATION		CENTER SECTION WIDTH	OVERALL DIMENSIONS			CENTERS OF GRAVITY		LOAD CENTER SPECS			MAXIMUM SIDESHIFT SPECS	
	INSIDE WIDTH			LENGTH	HEIGHT	WEIGHT (lbs)	HCG	VCG	LC	CAPACITY @ LC (lbs)	LOST LOAD (LL)	MAX SS FROM CENTERLINE	LATERAL CG AT MAX SS
	CLOSED	OPEN											
C4000S405	39.50	107.50	66.50	113.25	49.75	4788	20.21	17.92	62.75	15000	14.75	18	12.62
C4000W	85.50	157.50	82.50	114.75	49.75	6281	22.22	18.99	62.75	15000	14.75	18	10.58
Year: 2015	Dimensions: inches			Weight: pounds			Updated: 04/11/2016			HarvestCo Fabricators, Inc.			