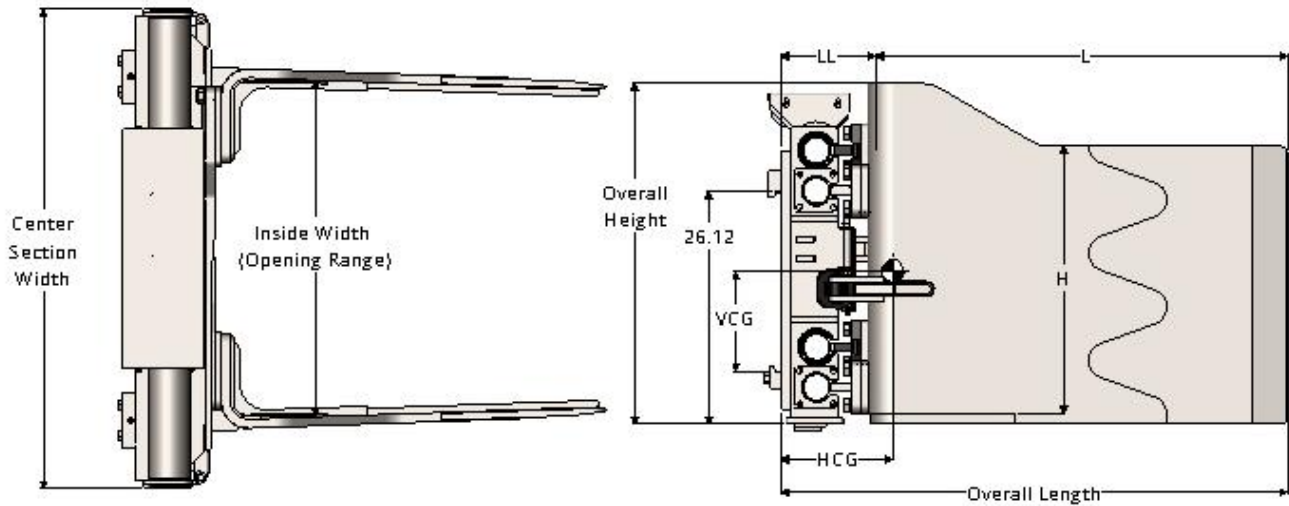


Cargo Clamps

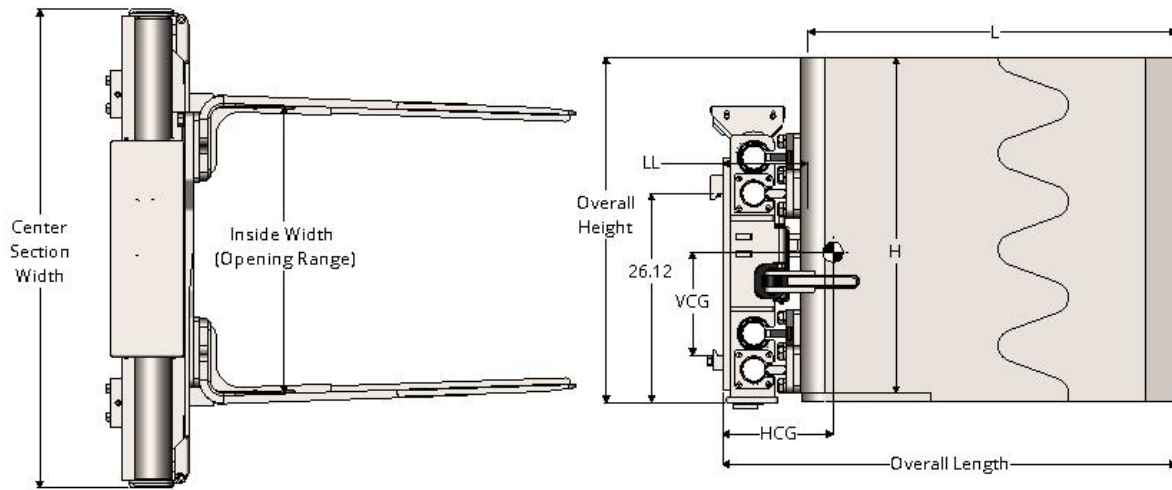
C950 Model Specifications



CLAMP MODEL NUMBER	PADDLE INFORMATION		CENTER SECTION WIDTH	OVERALL DIMENSIONS			CENTERS OF GRAVITY		LOAD CENTER SPECS			MAXIMUM SIDESHIFT SPECS		
	SIZE (HxL)	INSIDE WIDTH CLOSED OPEN		LENGTH	HEIGHT	WEIGHT (lbs)	HCG	VCG	LC	CAPACITY @ LC (lbs)	LOST LOAD (LL)	MAX SS FROM CENTERLINE	LATERAL CG AT MAX SS	
30" Models														
Mini														
C950M3032	30 X 32	32.5 96.5	48	42.75	38	2440	9.70	11.43	24	6000	10.75	16	10.00	
C950M3042	30 x 42	32.5 96.5	48	52.75	38	2570	11.79	11.30	24	6000	10.75	16	10.59	
C950M3044	30 x 44	32.5 96.5	48	54.75	38	2596	12.20	11.28	24	6000	10.75	16	10.65	
C950M3046	30 x 46	32.5 96.5	48	56.75	38	2622	12.63	11.27	24	6000	10.75	16	10.70	
C950M3048	30 x 48	32.5 96.5	48	58.75	38	2648	13.06	11.25	24	6000	10.75	16	10.76	
C950M3050	30 x 50	32.5 96.5	48	60.75	38	2674	13.51	11.23	24	6000	10.75	16	10.81	
C950M3054	30 x 54	32.5 96.5	48	64.75	38	2726	14.43	11.19	24	6000	10.75	16	10.91	
Narrow														
C950N3032	30 X 32	34.5 102.5	54	42.75	38	2499	9.58	11.38	24	6000	10.75	17	10.63	
C950N3042	30 x 42	34.5 102.5	54	52.75	38	2629	11.97	10.98	24	6000	10.75	17	11.19	
C950N3044	30 x 44	34.5 102.5	54	54.75	38	2655	12.39	10.96	24	6000	10.75	17	11.25	
C950N3046	30 x 46	34.5 102.5	54	56.75	38	2681	12.82	10.94	24	6000	10.75	17	11.31	
C950N3048	30 x 48	34.5 102.5	54	58.75	38	2707	13.27	10.92	24	6000	10.75	17	11.37	
C950N3050	30 x 50	34.5 102.5	54	60.75	38	2733	13.72	10.91	24	6000	10.75	17	11.42	
C950N3054	30 x 54	34.5 102.5	54	64.75	38	2785	14.66	10.87	24	6000	10.75	17	11.53	
Standard														
C950S3032	30 X 32	32.5 104.5	60	42.75	38	2590	9.33	11.30	24	6000	10.75	18	10.97	
C950S3042	30 x 42	32.5 104.5	60	52.75	38	2720	11.63	10.91	24	6000	10.75	18	11.43	
C950S3044	30 x 44	32.5 104.5	60	54.75	38	2746	12.04	10.90	24	6000	10.75	18	11.50	
C950S3046	30 x 46	32.5 104.5	60	56.75	38	2772	12.46	10.88	24	6000	10.75	18	11.56	
C950S3048	30 x 48	32.5 104.5	60	58.75	38	2798	12.89	10.86	24	6000	10.75	18	11.62	
C950S3050	30 x 50	32.5 104.5	60	60.75	38	2824	13.34	10.85	24	6000	10.75	18	11.69	
C950S3054	30 x 54	32.5 104.5	60	64.75	38	2876	14.25	10.82	24	6000	10.75	18	11.81	
Wide														
C950W3032	30 x 32	28.5 100.5	64	42.75	38	2649	9.17	11.25	24	6000	10.75	18	10.59	
C950W3042	30 x 42	28.5 100.5	64	52.75	38	2779	11.14	11.15	24	6000	10.75	18	11.00	
C950W3044	30 x 44	28.5 100.5	64	54.75	38	2805	11.52	11.13	24	6000	10.75	18	11.07	
C950W3046	30 x 46	28.5 100.5	64	56.75	38	2831	11.92	11.11	24	6000	10.75	18	11.14	
C950W3048	30 x 48	28.5 100.5	64	58.75	38	2857	12.33	11.10	24	6000	10.75	18	11.20	
C950W3050	30 x 50	28.5 100.5	64	60.75	38	2883	12.75	11.08	24	6000	10.75	18	11.26	
C950W3054	30 x 54	28.5 100.5	64	64.75	38	2935	13.63	11.05	24	6000	10.75	18	11.38	
Model Year: 2015		Dimensions: inches		Weight: pounds			Updated: 11/01/2018			HarvestCo Fabricators, Inc.				

Cargo Clamps

C950 Model Specifications



CLAMP MODEL NUMBER	PADDLE INFORMATION			CENTER SECTION WIDTH	OVERALL DIMENSIONS			CENTERS OF GRAVITY		LOAD CENTER SPECS			MAXIMUM SIDESHIFT SPECS	
	SIZE (HxL)	INSIDE WIDTH CLOSED	INSIDE WIDTH OPEN		LENGTH	HEIGHT	WEIGHT (lbs)	HCG	VCG	LC	CAPACITY @ LC (lbs)	LOST LOAD (LL)	MAX SS FROM CENTERLINE	LATERAL CG AT MAX SS
42" Models														
Mini														
C950M4232	42 x 32	32.5	96.5	48	42.75	43	2611	10.76	12.76	24	6000	10.75	16	10.57
C950M4242	42 x 42	32.5	96.5	48	52.75	43	2789	13.33	12.95	24	6000	10.75	16	10.98
C950M4244	42 x 44	32.5	96.5	48	54.75	43	2824	13.83	12.98	24	6000	10.75	16	11.04
C950M4246	42 x 46	32.5	96.5	48	56.75	43	2860	14.34	13.01	24	6000	10.75	16	11.11
C950M4248	42 x 48	32.5	96.5	48	58.75	43	2896	14.86	13.04	24	6000	10.75	16	11.17
C950M4250	42 x 50	32.5	96.5	48	60.75	43	2931	15.40	13.07	24	6000	10.75	16	11.23
C950M4254	42 x 54	32.5	96.5	48	64.75	43	3002	16.50	13.12	24	6000	10.75	16	11.34
Narrow														
C950N4232	42 x 32	34.5	102.5	54	42.75	43	2670	10.63	12.69	24	6000	10.75	17	10.99
C950N4242	42 x 42	34.5	102.5	54	52.75	43	2848	13.53	12.68	24	6000	10.75	17	11.66
C950N4244	42 x 44	34.5	102.5	54	54.75	43	2883	14.04	12.71	24	6000	10.75	17	11.73
C950N4246	42 x 46	34.5	102.5	54	56.75	43	2919	14.56	12.75	24	6000	10.75	17	11.80
C950N4248	42 x 48	34.5	102.5	54	58.75	43	2954	15.09	12.78	24	6000	10.75	17	11.86
C950N4250	42 x 50	34.5	102.5	54	60.75	43	2990	15.64	12.81	24	6000	10.75	17	11.93
C950N4254	42 x 54	34.5	102.5	54	64.75	43	3061	16.76	12.87	24	6000	10.75	17	12.05
Standard														
C950S4232	42 x 32	32.5	104.5	60	42.75	43	2760	10.36	12.57	24	6000	10.75	18	11.36
C950S4242	42 x 42	32.5	104.5	60	52.75	43	2938	13.17	12.56	24	6000	10.75	18	11.94
C950S4244	42 x 44	32.5	104.5	60	54.75	43	2974	13.66	12.60	24	6000	10.75	18	12.02
C950S4246	42 x 46	32.5	104.5	60	56.75	43	3009	14.17	12.63	24	6000	10.75	18	12.09
C950S4248	42 x 48	32.5	104.5	60	58.75	43	3045	14.69	12.66	24	6000	10.75	18	12.17
C950S4250	42 x 50	32.5	104.5	60	60.75	43	3081	15.22	12.69	24	6000	10.75	18	12.24
C950S4254	42 x 54	32.5	104.5	60	64.75	43	3152	16.32	12.75	24	6000	10.75	18	12.37
Wide														
C950W4232	42 x 32	28.5	100.5	64	42.75	43	2838	10.19	12.50	24	6000	10.75	18	11.00
C950W4242	42 x 42	28.5	100.5	64	52.75	43	3016	12.62	12.70	24	6000	10.75	18	11.43
C950W4244	42 x 44	28.5	100.5	64	54.75	43	3051	13.09	12.73	24	6000	10.75	18	11.53
C950W4246	42 x 46	28.5	100.5	64	56.75	43	3087	13.83	12.77	24	6000	10.75	18	11.59
C950W4248	42 x 48	28.5	100.5	64	58.75	43	3122	14.33	12.80	24	6000	10.75	18	11.67
C950W4250	42 x 50	28.5	100.5	64	60.75	43	3158	14.58	12.82	24	6000	10.75	18	11.78
C950W4254	42 x 54	28.5	100.5	64	64.75	43	3229	15.64	12.87	24	6000	10.75	18	11.92
Model Year: 2015		Dimensions: inches			Weight: pounds			Updated: 11/01/2018			HarvestCo Fabricators, Inc.			