

C500 Series Clamp

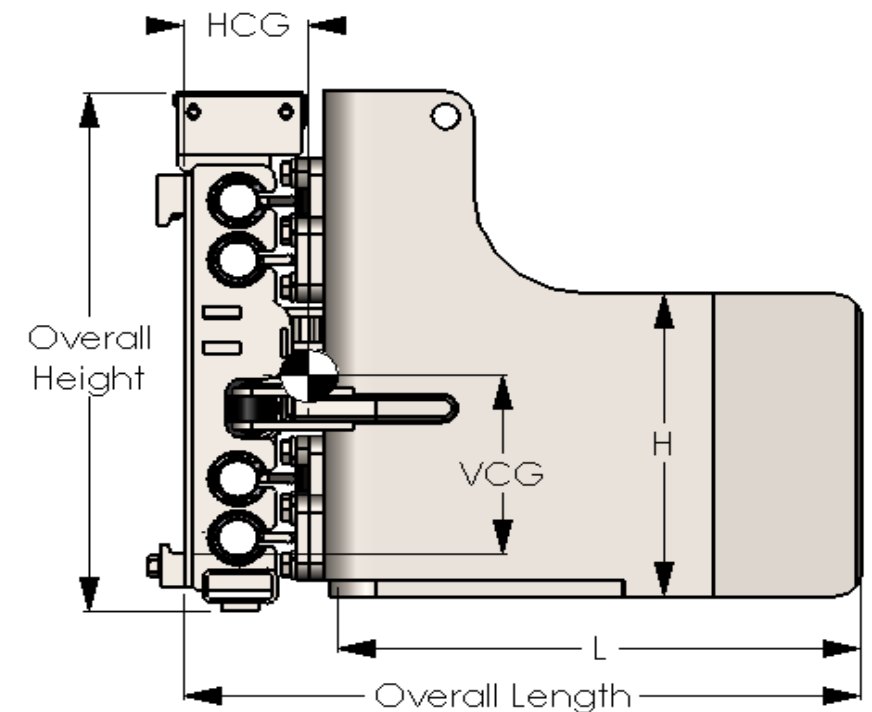
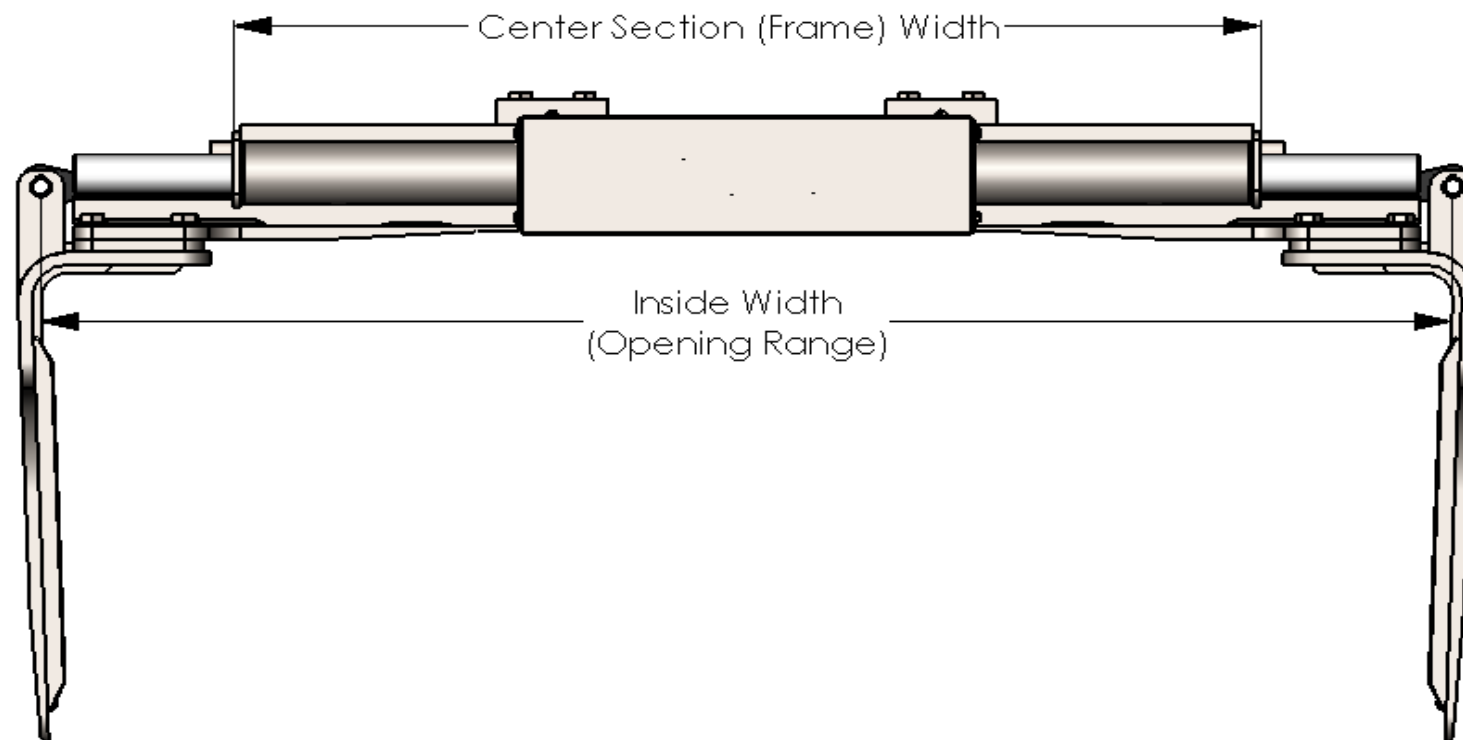


Benefits

- Faster operating speeds
- Solid steel arms/paddles don't crack in corners
- Won't damage wrapped bales
- Completely customizable arms/paddles and opening ranges
- Built to last a long time in high-use environments

Specifications

C500 Series	PADDLE INFORMATION		OVERALL DIMENSIONS			CENTERS OF GRAVITY		LOAD CENTER SPECS		Class	Hydraulic Cylinder Size	
	SIZE (HxL)	OPENING RANGE		LENGTH	HEIGHT	WEIGHT (lbs)	HCG	VCG	LC			CAPACITY @ LC (lbs)
		CLOSED	OPEN									
M1626	16 x 26	17.1	69.1	35	26.4	1207	6.85	8.38	24	4000	II	26.00
M1647	16 x 47	17.1	69.1	56	26.4	1380	11.50	7.81	24	4000	II	26.00
W1828	18 x 28	19.5	91.5	37	31	1418	6.95	8.45	24	5000	II	36.00
S1828	18 x 28	38.5	118.5	37	31	1376	6.95	8.45	24	5000	II	40.00
2017	Dimensions: inches			Weight: pounds			Updated: July 2017			C500		



C500 Series Clamp

Clerf Equipment | (888) 338-0077 | goclerf.com