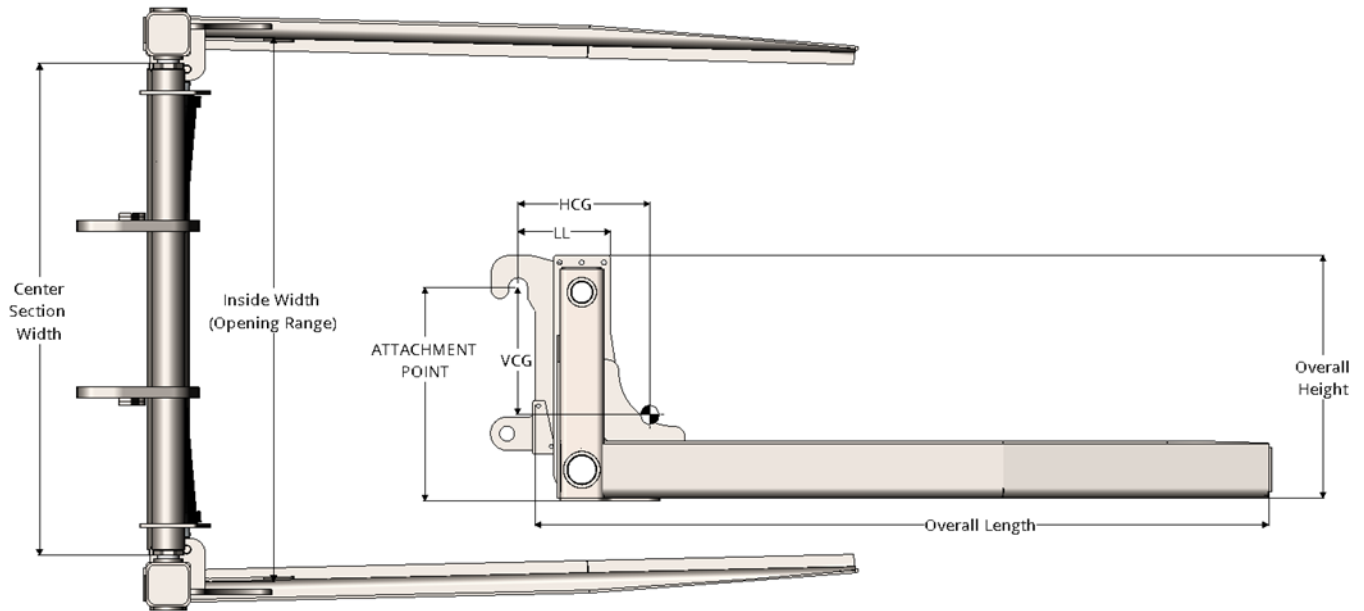


Light-Duty Clamps

C1300 Model Specifications



CLAMP MODEL NUMBER	FORK INFORMATION		CENTER SECTION WIDTH	QUICK ATTACH POINT	OVERALL DIMENSIONS			CENTERS OF GRAVITY		LOAD CENTER SPECS			MAXIMUM SIDESHIFT SPECS	
	INSIDE WIDTH				LENGTH	HEIGHT	WEIGHT (lbs)	HCG	VCG	LC	CAPACITY @ LC (lbs)	LOST LOAD (LL)	MAX SS FROM CENTERLINE	LATERAL CG AT MAX SS
	CLOSED	OPEN												
C1300NS (Qfit)	73.50	109.60	66.50	35.25	99.50	32.88	1900	18.00	11.70	48	8000	12.5	9	NA
C1300NS (IT28)	73.50	109.60	66.50	28.50	99.50	32.88	1857	18.00	11.70	48	8000	12.5	9	NA
C1300 (class 3-4)	73.50	109.60	66.50	25.25	97.50	34.00	1771	14.30	14.20	48	8000	7	NA	NA
<i>Model Year: 2017</i>		<i>Dimensions: inches</i>			<i>Weight: pounds</i>			<i>Updated: 05/17/2018</i>			<i>HarvestCo Fabricators, Inc.</i>			