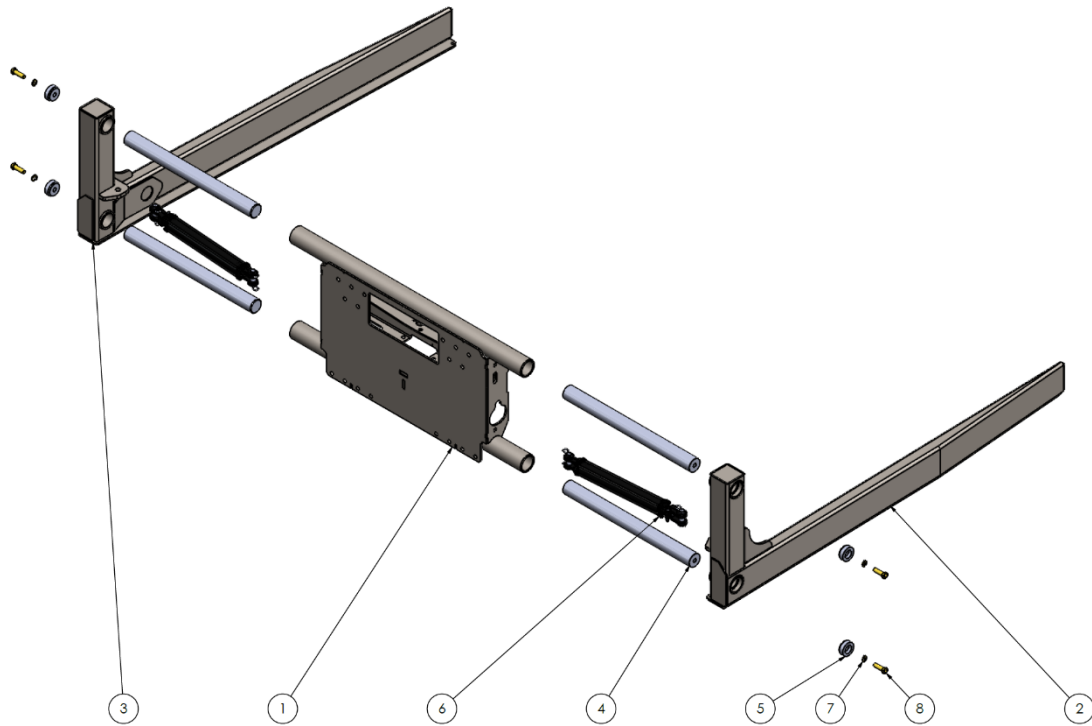


Light-duty Economy Clamp

Parts Manual for EC1050

CLERFTM

Main Assembly



ITEM	PART NUMBER	DESCRIPTION	QTY.
1	HF-2450	EC1050 Center Section, Universal Mounting	1
2	HF-2452	EC1050 Fork Assembly, RH	1
3	HF-2453	EC1050 Fork Assembly, LH	1
4	HF-2457	EC1050 Shaft	4
5	HF-2460	EC1050 Shaft Retainer	4
6	2x18in Cylinder	Cylinder 2x18-1 1/8 STD. CLEVIS	2
7	802075N0000YZ	3/4" Lock Washer	4
8	800075F0250YZ	3/4-16 x 2.5" HHCS	4



Blank Worksheet

A series of horizontal dotted lines spanning the width of the page, intended for handwritten notes or drawings.