

Forward Bin Dumper

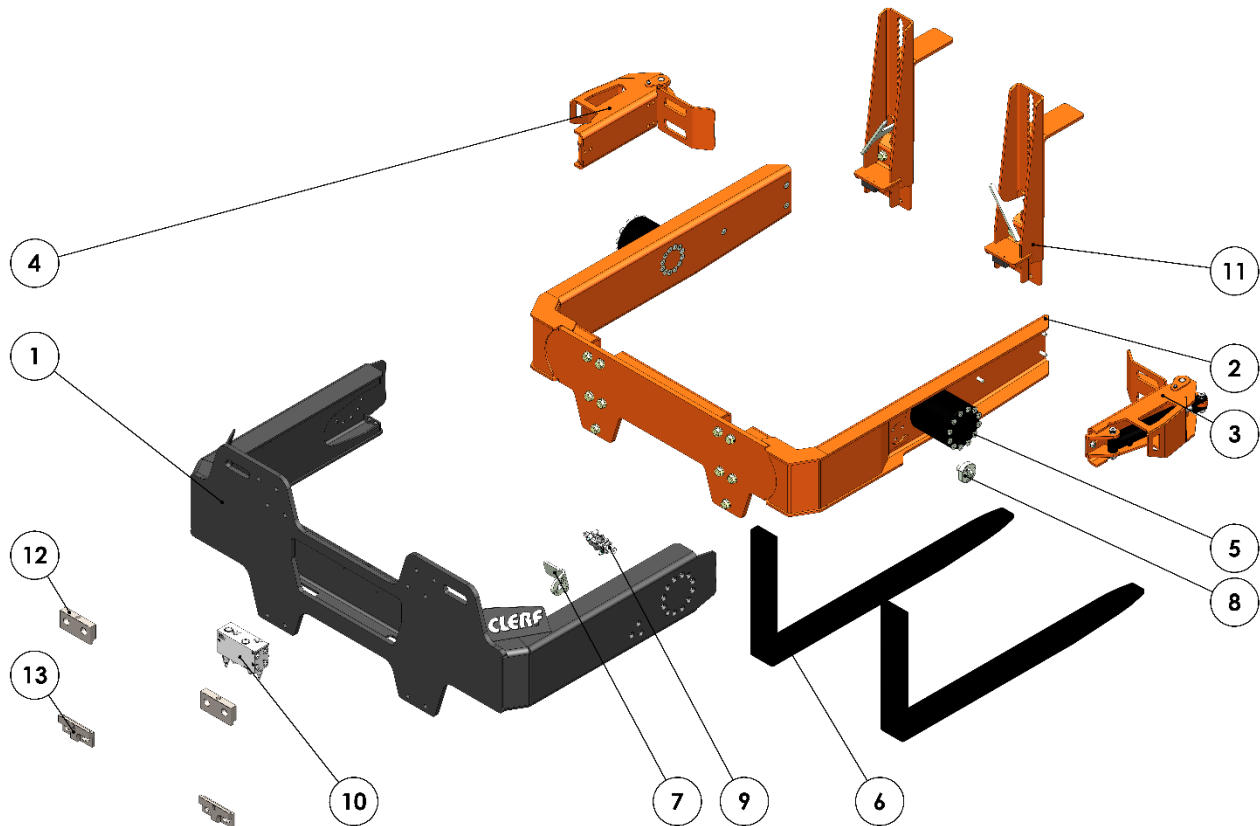
Parts Manual for F465B / F475B / F490B

CLERFTM

Contents of Parts Manual

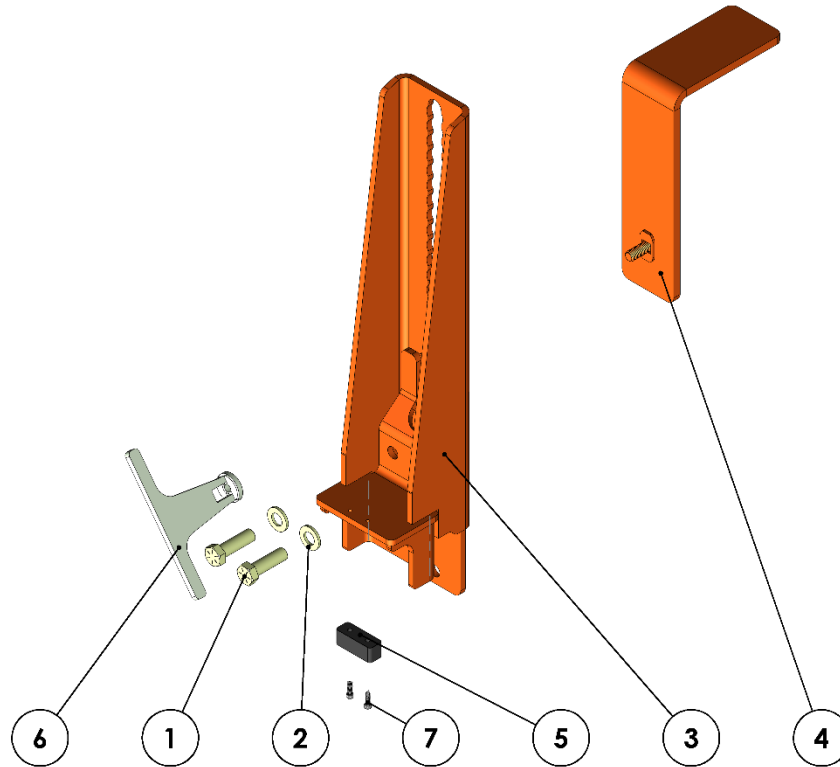
Main Assembly	2
Top Bin Stop Assembly	3
Front Bin Stop Assembly	4
Hydraulic Components	5
Blank Worksheet	6

Main Assembly



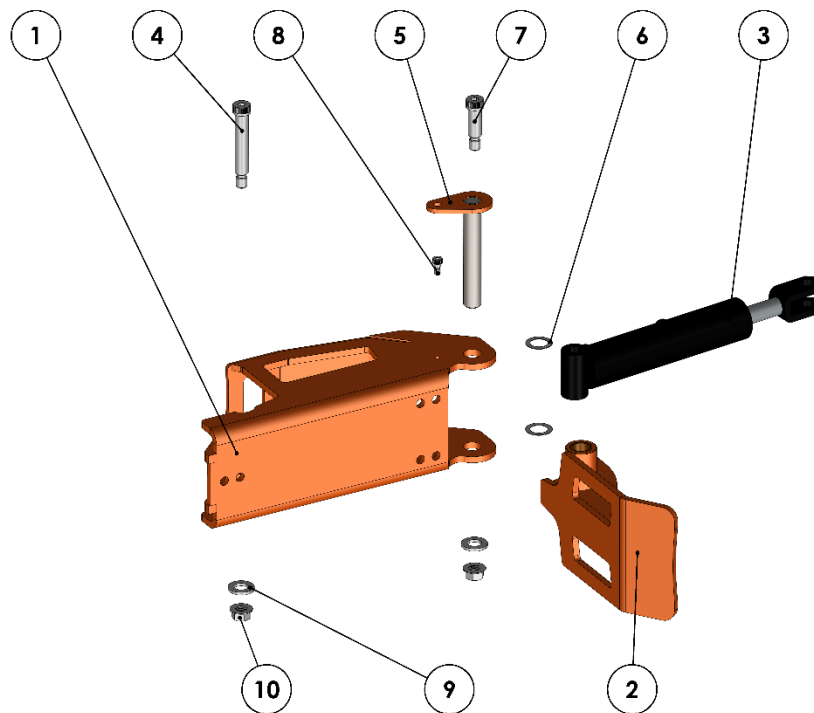
ITEM	PART NUMBER	DESCRIPTION	QTY.
1	HF-2056	Base Frame Assembly	1
2	HF-2057	Tipper Frame Assembly	1
3	HF-1761	Bin Flap Assembly, Right	1
4	HF-1760	Bin Flap Assembly, Left	1
5	53689	Rotary Actuator L10 9.5	2
6	HF-2080	Custom Bolted Fork, 1.5 x 4 x 48"	2
7	HF-2061	Valve Mount	1
8	HF-2060	Valve Striker	1
9	DF5/2BC17CBSAE	2-way selector valve	1
10	11251013	Hydraulic Manifold	1
11	HF-2079	Bin Stop Assembly	2
12	HF-1484	Top Carriage Clip - ITA Class II	2
13	HF-1531	Bottom Carriage Clip - ITA Class II	2

Top Bin Stop Assembly



ITEM	PART NUMBER	DESCRIPTION	QTY.
1	800075F0250YZ	3/4-16 x 2.5" HHCS	2
2	804075N0000YZ	3/4" Washer	2
3	HF-2079	Bin Stop Assembly	2
4	HF-2158	Bin Stop Plate Assembly	2
5	MPXN-S2-BK	Bumper	2
6	HF-2083	Bin Stop Clamping Handle	2
7	610025C0075Z	1/4-20 X 3/4" SHCS Zinc Plated	4

Front Bin Stop Assembly



ITEM NO.	PART NUMBER	DESCRIPTION	QTY.
1	HF-1762	FLAP MOUNT ASSEMBLY, LEFT SIDE ONLY (VIEWING)	1
	HF-1763	FLAP MOUNT ASSEMBLY, RIGHT SIDE ONLY	1
2	HF-1505	FLAP PIVOT ASSEMBLY	1
	9368T84	1" ID X 1-1/4" SLEEVE BEARING	2
	2867T63	3/4" ID X 3/4" SLEEVE BEARING	1
3	322290	2.0 X 4.0 X 1.25 CYLINDER	1
4	614075N0375P	5/8-11 Ø.75 X 3.75" Shoulder Screw	1
5	HF-1529	PIVOT PIN ASSEMBLY	1
6	90482A540	Spring Steel Round Shim	2
7	614075N0175P	5/8-11 Ø.75 X 1.75" Shoulder Screw	1
8	614037N0025P	5/16-18 Ø.375 X .5" Shoulder Screw	1
9	804075N0000YZ	3/4" Washer	2
10	861062C0000P	5/8-11 Flange Nut	2

Hydraulic Components

	Length (in)	End #1 Type	End#2 Type	Qty.
Frame	57.5	straight 6P-6FFORX	straight 6P-6FFORX	4
	54	straight 6P-6FFORX	straight 6P-6FFORX	2
	51	straight 6P-6FFORX	straight 6P-6FFORX	2
	52	straight 6P-6FFORX	90 degree long 6P-6FFORX9L	1
	52	straight 6P-6FFORX	90 degree medium 6P-6FFORX9M	1
	Cylinder	Length (in)	End #1 Type	End #2 Type
32.5		90 degree short 6P-6FFORX9S	straight 6P-6FFORX	2
28		90 degree short 6P-6FFORX9S	straight 6P-6FFORX	2
Hose Protector	Length (in)	Type		
	49	5/8" UHMW		2

Notes
All hose lengths measured without fittings
Straight = 6P-6FFORX
90 degree short = 6P-6FFORX9S
90 degree medium = 6P-6FFORX9M
90 degree long = 6P-6FFORX9L
Hose = Gates PRO - Series 6 IA3K 3/8"

