



# Forward Bin Dumper

---

F475A Parts Manual

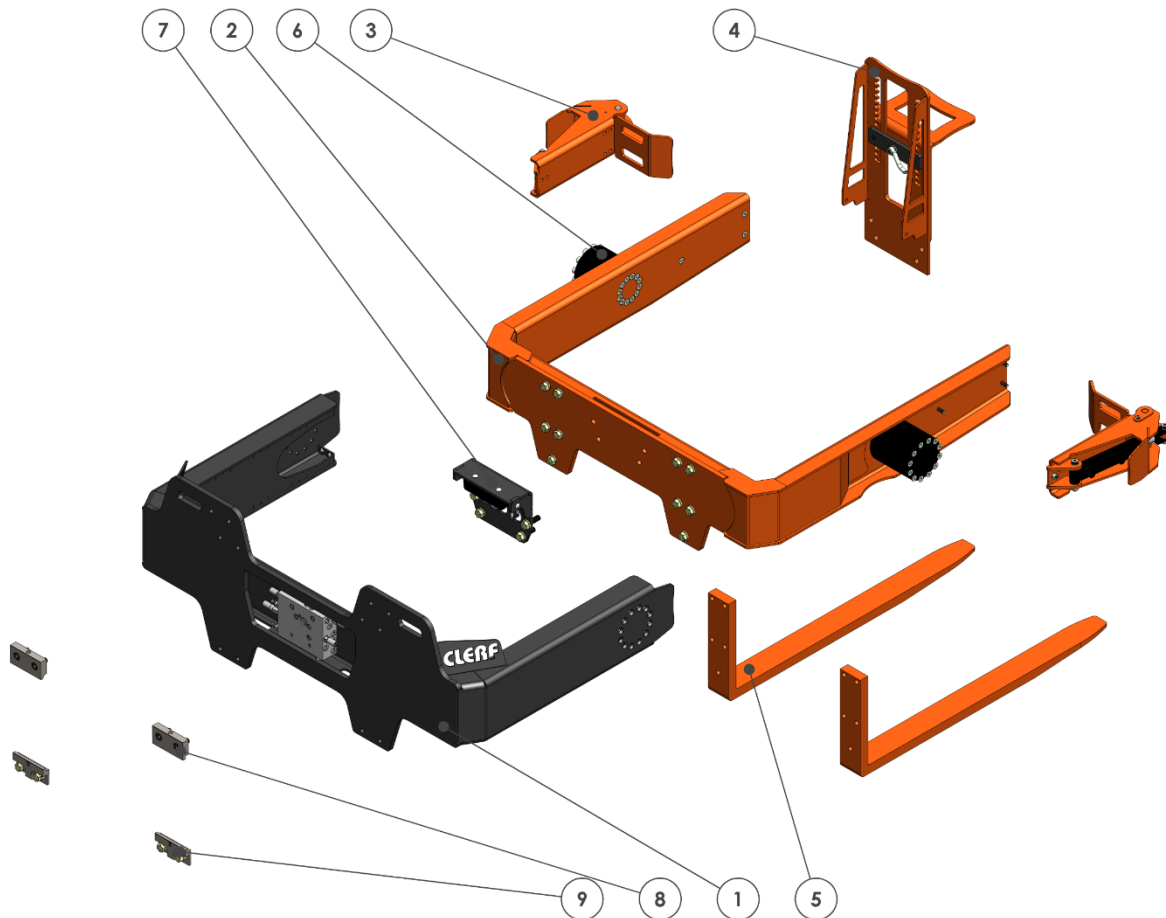
**CLERF**<sup>TM</sup>

## Contents of Parts Manual

---

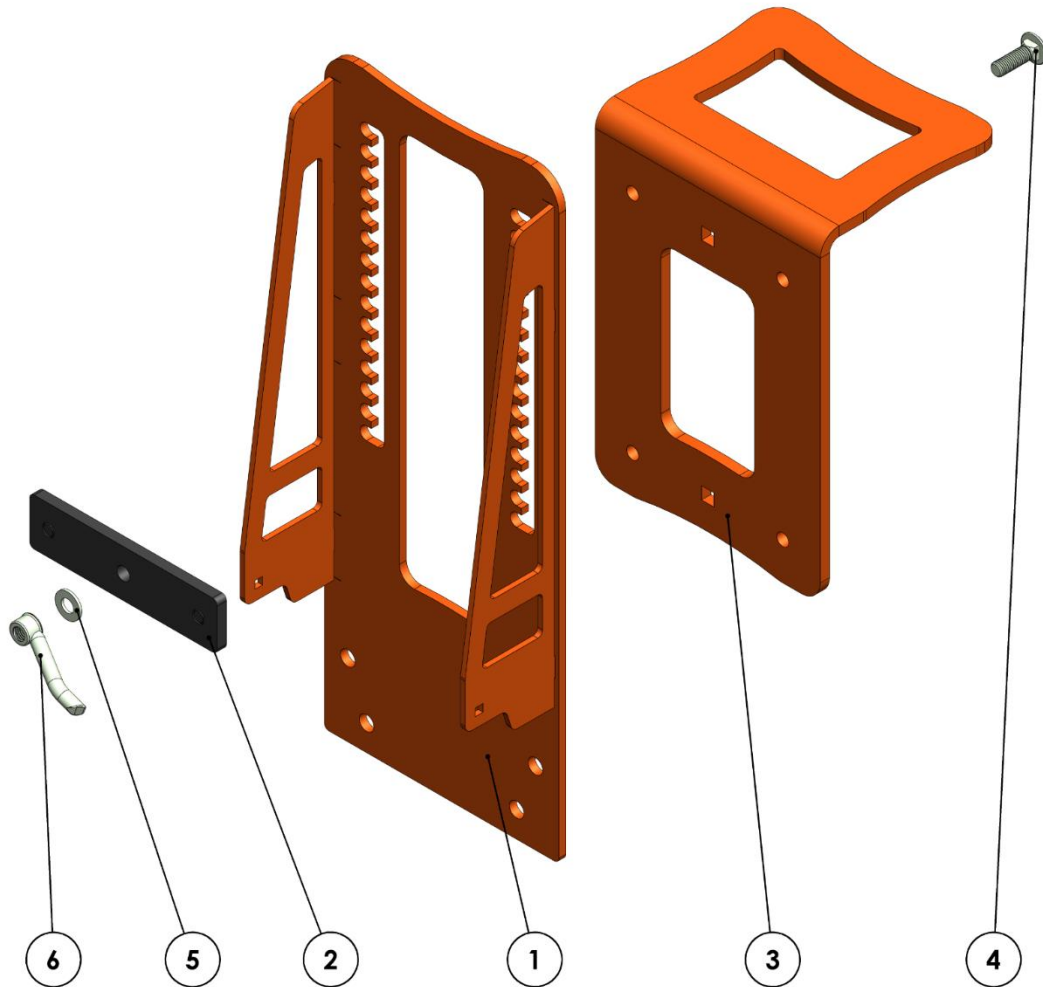
F475A Main Assembly	2
Top Bin Stop Assembly	3
Front Bin Stop Assembly	4
Hydraulic Components	5
Blank Worksheet	6

### Main Assembly



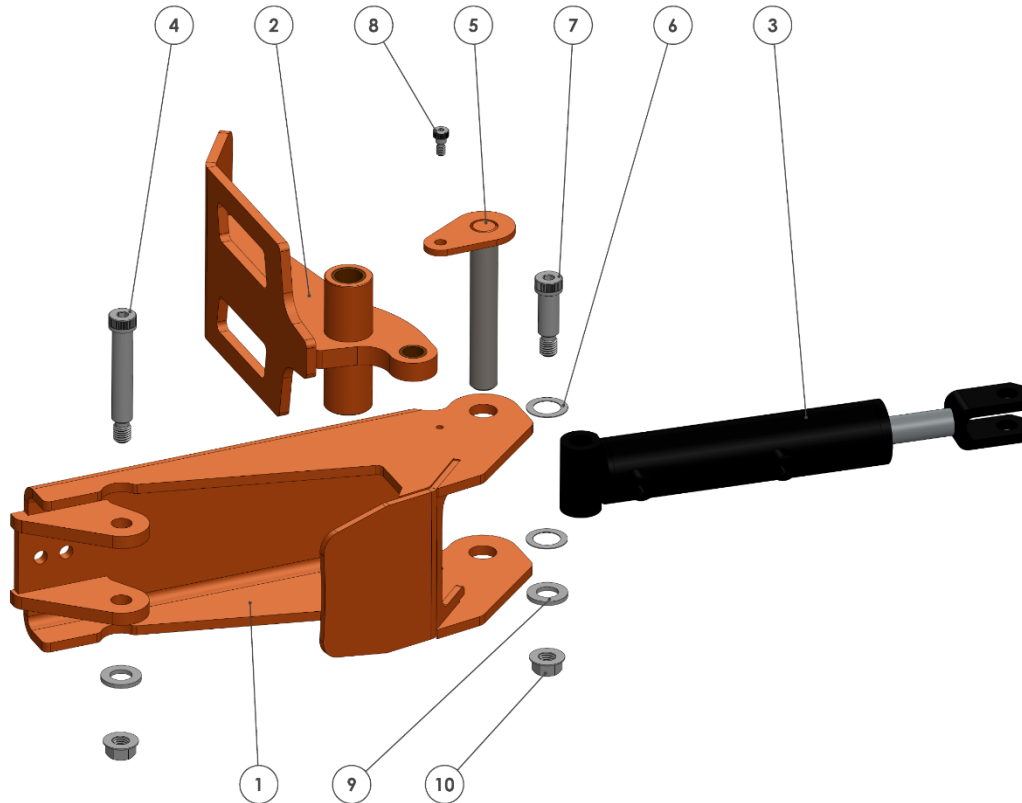
ITEM	PART NUMBER	DESCRIPTION	QTY.
1	HF-1502	BASE FRAME ASSEMBLY	1
2	HF-1503	TIPPER FRAME ASSEMBLY	1
3	HF-1508	BIN FLAP ASSEMBLY	2
4	HF-1530	TOP BIN STOP ASSEMBLY	1
5	HF-1510	BOLTED FORK	2
6	Call	Helical Actuator	2
7	HF-1511	STOP PLATE ASSEMBLY	1
8	HF-1484	Top Carriage Clip - Class II	2
9	HF-1531	Bottom Carriage Clip - Class II	2

### Top Bin Stop Assembly



ITEM	PART NUMBER	DESCRIPTION	QTY.
1	HF-1530	BIN STOP ASSEMBLY	1
2	HF-1534	BIN STOP BACKING PLATE ASSEMBLY	1
3	BN-40014	BIN STOP PLATE	1
4	570062C0200Z	5/8-11 X 2" Carriage Bolt	1
5	204062N0000Z	5/8" Flat Washer	1
6	91044A035	EASY GRIP HANDLE	1

### Front Bin Stop Assembly



ITEM	PART NUMBER	DESCRIPTION	QTY.
1	HF-1504	FLAP MOUNT ASSEMBLY	1
2	HF-1505	FLAP PIVOT ASSEMBLY	1
	9368T84	1" ID X 1-1/4" SLEEVE BEARING	2
	2867T63	3/4" ID X 3/4" SLEEVE BEARING	1
3	322290	2.0 X 4.0 X 1.25 Cylinder	1
4	614075N0375P	5/8-11 Ø.75 X 3.75" Shoulder Screw	1
5	HF-1529	PIVOT PIN ASSEMBLY	1
6	90482A540	Spring Steel Round Shim	2
7	614075N0175P	5/8-11 Ø.75 X 1.75" Shoulder Screw	1
8	614037N0025P	5/16-18 Ø.375 X .5" Shoulder Screw	1
9	804075N0000YZ	3/4" Washer	2
10	861062C0000P	5/8-11 Flange Nut	2

### Hydraulic Components

	Length (in)	End #1 Type	End#2 Type	Qty.
<b>Frame</b>	56	straight 6G-6FFORX	straight 6G-6FFORX	4
	54	straight 6G-6FFORX	straight 6G-6FFORX	2
	51	straight 6G-6FFORX	straight 6G-6FFORX	2
	Length (in)	End #1 Type	End #2 Type	Qty.
<b>Supply</b>	15.5	90 deg long - 6G-6FFORX90L	straight 6G-6FFORX	1
	13.5	90 deg short - 6G-6FFORX90S	straight 6G-6FFORX	1
	Length (in)	End #1 Type	End #2 Type	Qty.
<b>Cylinder</b>	32.5	90 deg short - 6G-6FFORX90S	straight 6G-6FFORX	2
	28	90 deg short - 6G-6FFORX90S	straight 6G-6FFORX	2
	Length (in)	Type		
<b>Hose Protector</b>	49	5/8" UHMW		

Notes
All hose lengths measured without fittings
straight = 6G-6FFORX
90 degree short = 6G-6FFORX90S
90 degree long = 6G-6FFORX90L
Hose = 3/8" 6M3K Mega3000

## Blank Worksheet

---

---

---

---

---

---

---

---

---

---

---

---

---

---

---

---

---

---

---

---

---

---

---

---

---

---

---