

EC2000SS Model

# Parts Manual

## EC2000 Series Economy Clamps

**Side-shifting, Solid Fork, Greasable**

---

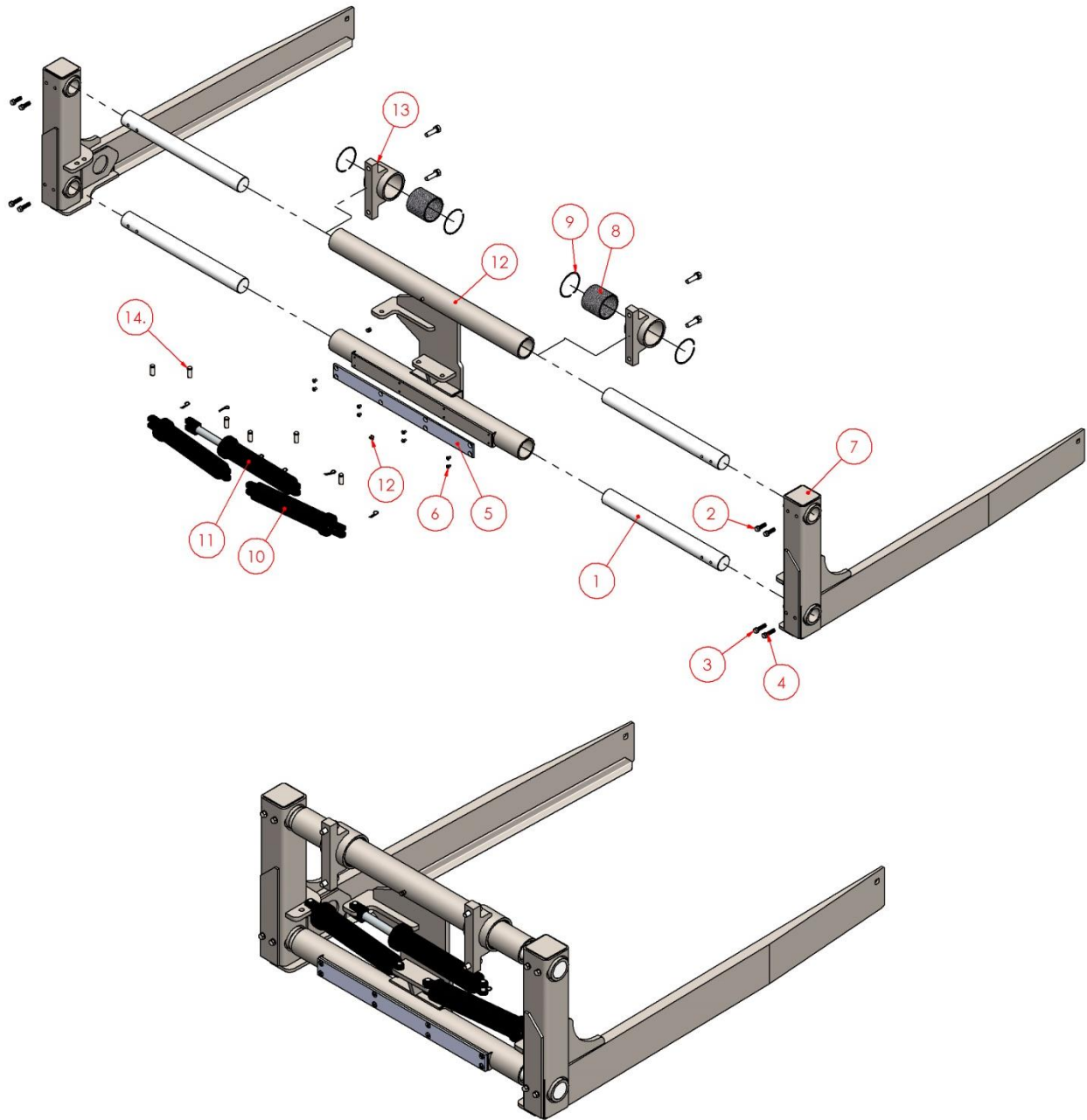
**Call:** (888) 338-0077

**Write:** 740 Dodge Road, Ellensburg, WA 98926

**Online:** [www.clerfhayclamp.com](http://www.clerfhayclamp.com)

**CLERF**<sup>TM</sup>  
HAY EQUIPMENT

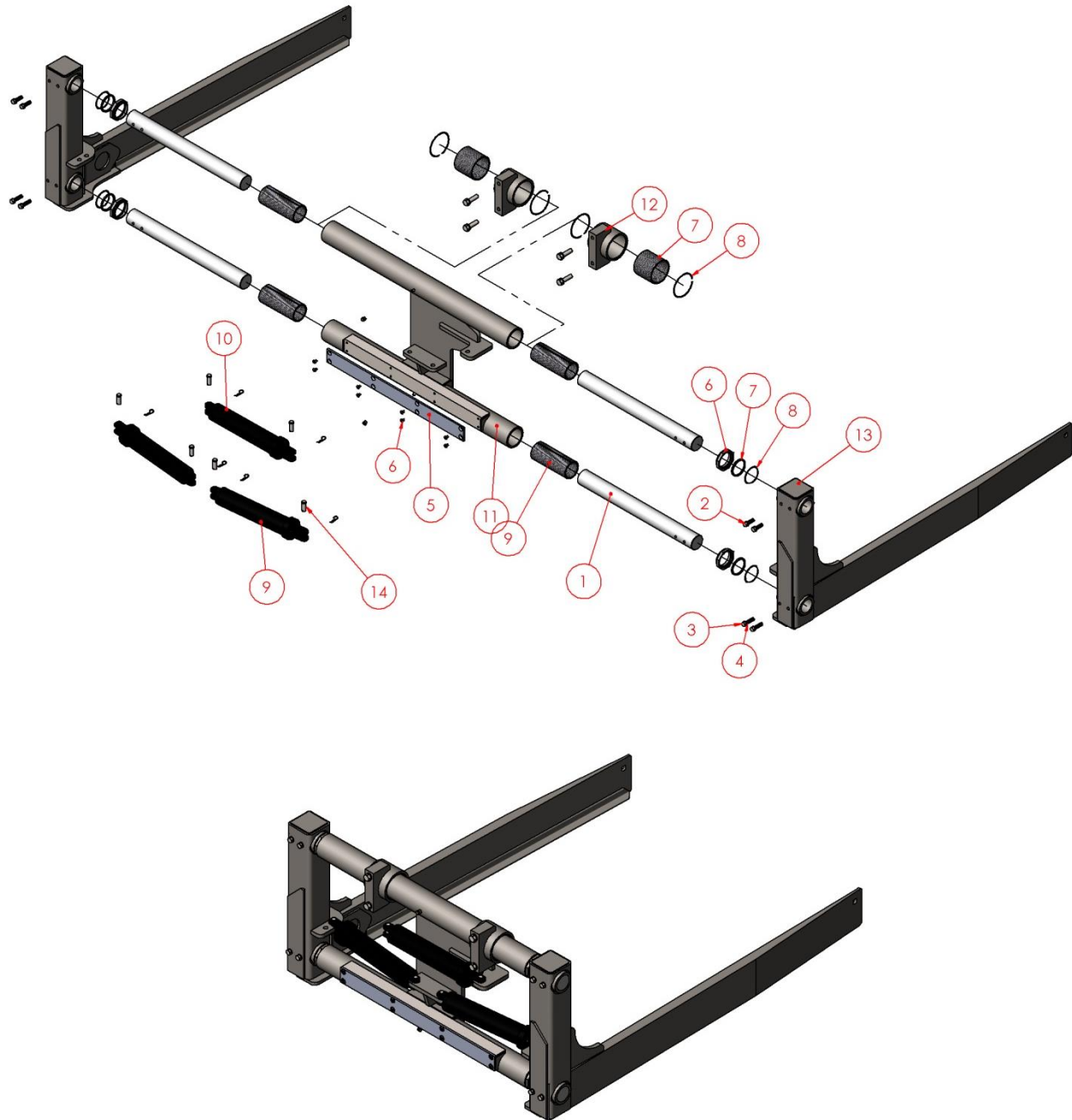
### EC2000SSMA - Assembly View



### EC2000SSMA – Parts List

Ref. Number	Part Number	Description	QTY	Unit Of Measure
1	SG4 1045 X 40	EC2000 Shaft Top or Bottom	4	EA
2	800075F0250YZ	3/4-16 x 2-1/2 GR8 Hex C/S Yellow Zinc	4	EA
3	800075F0300YZ	3/4-16 x 3 GR8 Hex C/S Yellow Zinc	4	EA
4	802075N0000YZ	3/4 Hi Alloy Lock Washer Yellow Zinc	8	EA
5	1/2" NYLON X 4 X 48	C3000 SS Nylon Slide Plate	1	EA
6	613050F0075P	1/2-20 x 3/4 FHSCS Plain	8	EA
7	HF-1053L&R	C3000 Fork Assembly Set (Left & Right)	1	SET
8	6.505 X 5.320 COMP X 6	EC2000 SS Composition Bushing 6.505 X 5.320 COMP X 6"	2	EA
9	OT-00032	C3000 SS Bushing Retaining Ring	4	EA
10*	CYL-CO350-18-1500-HF	3-1/2 x 18" Cylinder, 1-1/2" Rod - Clevis Cylinder	2	EA
11*	CYL-CO400-18-1750-HF	4 x 18 x 1-3/4" Clevis Cylinder Sideshift	1	EA
12	HF-1070	EC2000 Center Section Sideshift MA	1	EA
13	HF-1062	C3000 SS Trunion Set - MA	1	SET
14	CYL-PIN-CH1 X 2-9/16	1 x 2.85 Chief Usable Universal Pin for 18" Cylinders Actual P	6	EA

### EC2000SSD - Assembly View



### EC2000SSSD – Parts List

Ref. Number	Part Number	Description	QTY	Unit Of Measure
1	SG4 1045 X 40	EC2000 Shaft Top or Bottom	4	EA
2	800075F0250YZ	3/4-16 x 2-1/2 GR8 Hex C/S Yellow Zinc	4	EA
3	800075F0300YZ	3/4-16 x 3 GR8 Hex C/S Yellow Zinc	4	EA
4	802075N0000YZ	3/4 Hi Alloy Lock Washer Yellow Zinc	8	EA
5	1/2" NYLON X 4 X 48	C3000 SS Nylon Slide Plate	1	EA
6	613050F0075P	1/2-20 x 3/4 FHSCS Plain	8	EA
7	6.505 X 5.320 COMP X 6	EC2000 SS Composition Bushing 6.505 X 5.320 COMP X 6	2	EA
8	OT-00032	C3000 SS Bushing Retaining Ring	4	EA
9*	CYL-CO350-18-1500-HF	3-1/2 x 18" Cylinder, 1-1/2" Clevis Cylinder Sideshift	2	EA
10*	CYL-CO400-18-1750-HF	4 x 18 x 1-3/4" Clevis Cylinder	1	EA
11	HF-1162	EC2000 Center Section - SD Sideshift	1	EA
12	HF-1065	C3000 SS Trunion Set - SD	1	SET
13	HF-1053L&R	C3000 Fork Assembly Set (Left & Right)	1	SET
14	CYL-PIN-CH1 X 2-9/16	1 x 2.85 Chief Usable Universal Pin for 18" Cylinders Actual Pin Size 1 x 3.50	6	EA



*Manufactured by:*



**(888) 338-0077**

**[www.clerfhayclamp.com](http://www.clerfhayclamp.com)**

740 Dodge Road, Ellensburg, WA 98926