

EC2000NS Model

Parts Manual

EC2000 Series Economy Clamps

Non Side-shifting, Solid Fork, Greasable

Call: (888) 338-0077

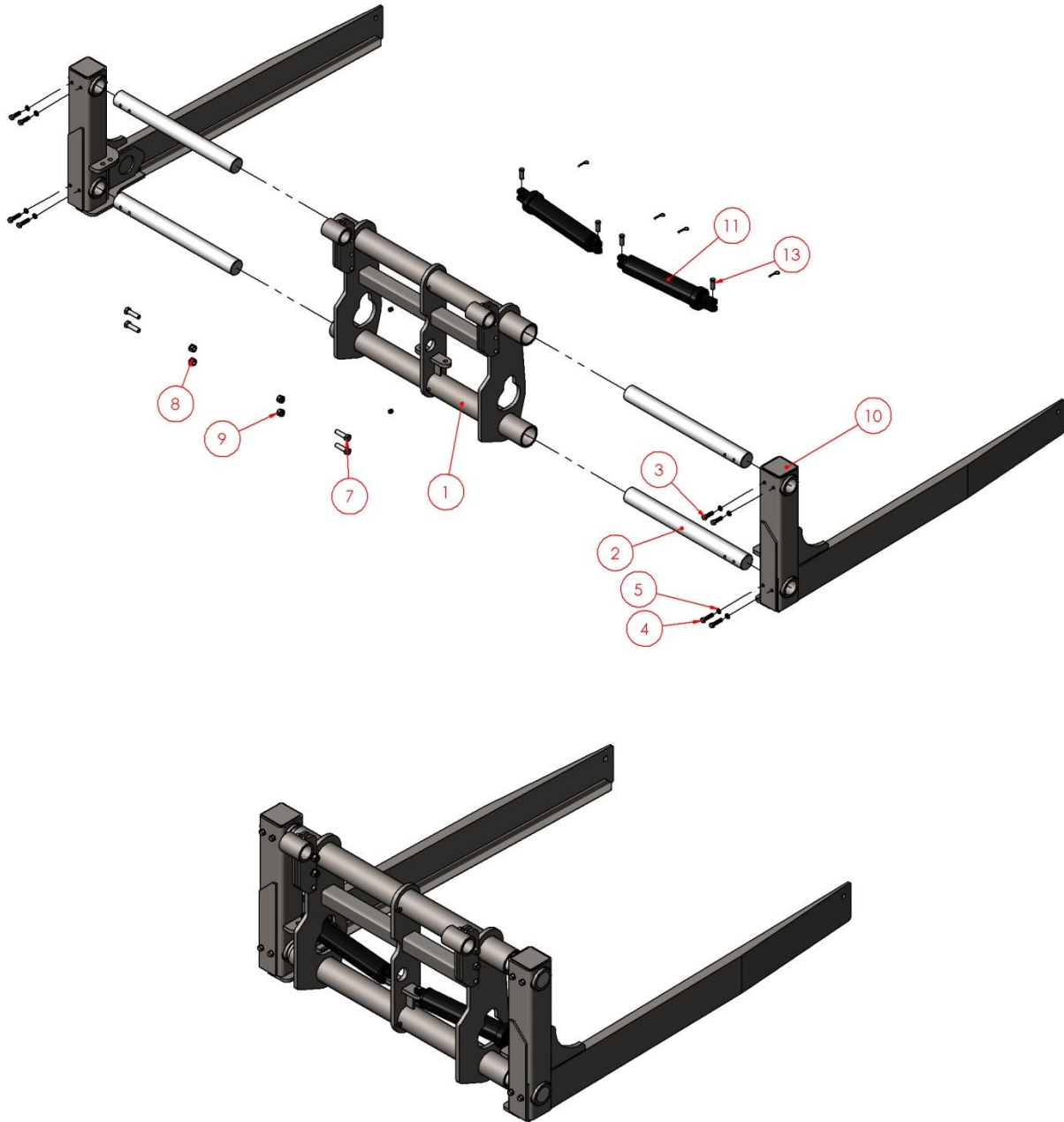
Write: 740 Dodge Road, Ellensburg, WA 98926

Online: www.clerfhayclamp.com

CLERFTM
HAY EQUIPMENT

Economy Clamps without Side-shift

EC2000NS Parts Manual



Economy Clamps without Side-shift

EC2000NS Parts Manual



Parts List

Ref. Number	Part Number	Description	QTY	Unit Of Measure
1	HF-1066	EC2000 Non-Sideshift Center Section	1	EA
2	SG4 1045 X 40	EC2000 Shaft Top or Bottom	4	EA
3	800075F0250YZ	3/4-16 x 2-1/2 GR8 Hex C/S Yellow Zinc	4	EA
4	800075F0300YZ	3/4-16 x 3 GR8 Hex C/S Yellow Zinc	4	EA
5	802075N0000YZ	3/4 Hi Alloy Lock Washer Yellow Zinc	8	EA
7	800100C0350YZ	1-8 X 3 1/2 GR8 Hex C/S Yellow Zinc	4	EA
8	802100N0000YZ	1" Hi Alloy Lock Washer Yellow Zinc	4	EA
9	801100C0000YZ	1-8 GR8 Hex Nut Yellow Zinc	4	EA
10	HF-1053L&R	C3000 Fork Assembly Set (Left & Right)	1	SET
11*	CYL-CO350-18-1500-HF	3-1/2 x 18" Cylinder, 1-1/2" Rod - Clevis Cylinder	2	EA
12	HF-1060	C3000 NonSS Hanger - 1" Offset	1	EA
13	CYL-PIN-CH1 X 2-9/16	1 x 2.85 Chief Usable Universal Pin for 18" Cylinders Actual Pin Size 1 x 3.50	4	EA



Manufactured by:



(888) 338-0077

www.clerfhayclamp.com

740 Dodge Road, Ellensburg, WA 98926