



C950N Model

# Parts Manual

## C950 Series Cargo Clamps

**Narrow** – 54" Center Section Width

---

**Call:** (888) 338-0077

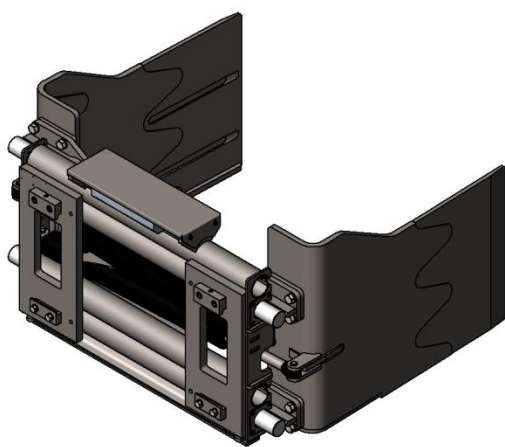
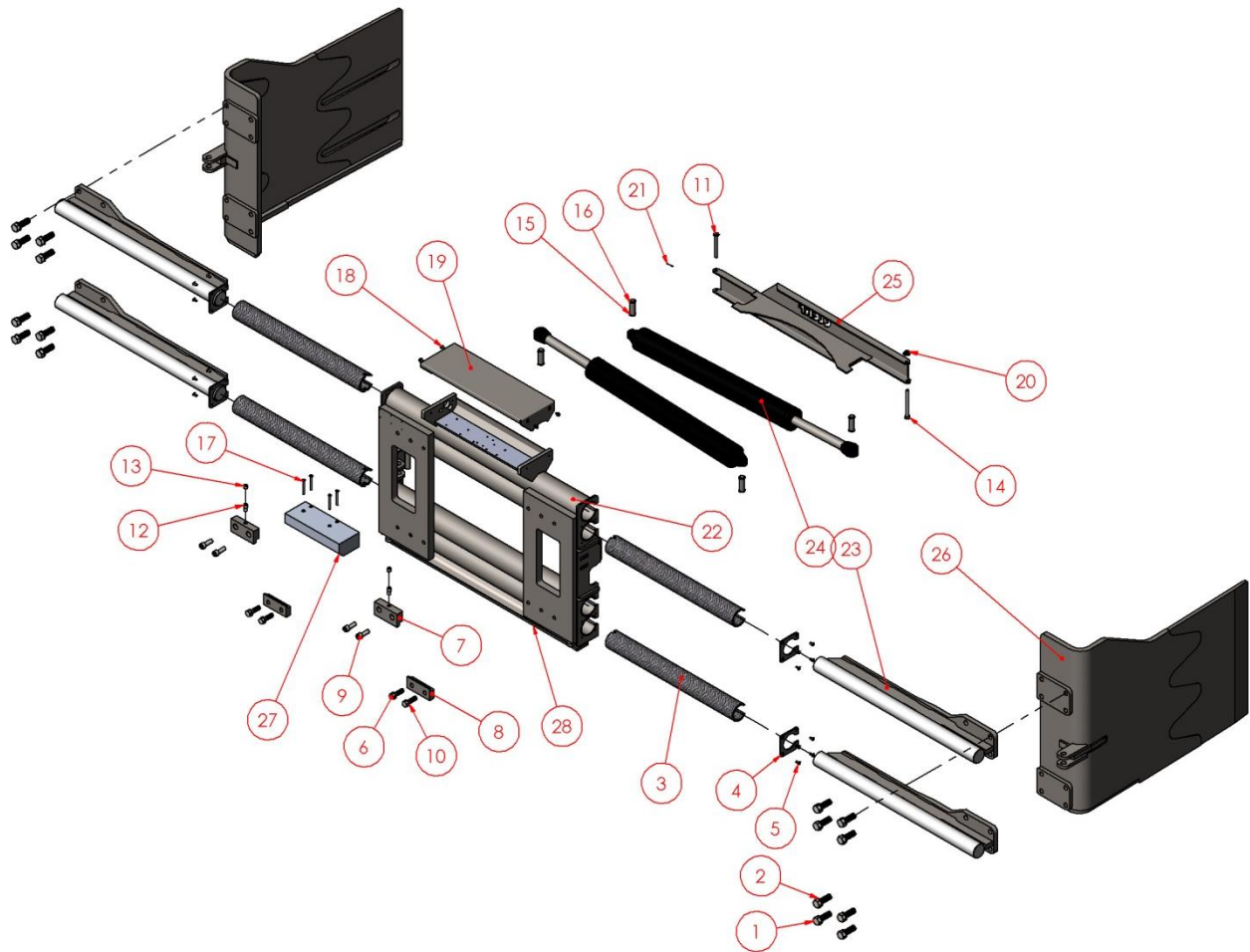
**Write:** 740 Dodge Road, Ellensburg, WA 98926

**Online:** [www.clerfhayclamp.com](http://www.clerfhayclamp.com)

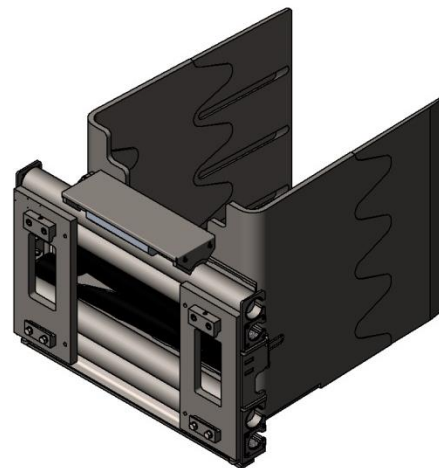


# Cargo Clamps

## C950N Parts Manual



**30" HIGH PADDLES**



**42" HIGH PADDLES**

### Paddle Clamp Parts List

Ref. Number	Part Number	Description	QTY	Unit Of Measure
1	800100F0300YZ	1-14 X 3 GR8 Hex C/S Yellow Zinc	16	EA
2	802100N0000YZ	1" Hi Alloy Lock Washer Yellow Zinc	16	EA
3	3-1/8" COMPX34	C950 Composition Bushing - Machined	4	EA
4	HF-1083	C800 - C950 Bushing Retainer End Cap	4	EA
5	613031C0075Z	5/16-18 x 3/4 FHSCS Zinc, C900-C950 End Cap Screw	16	EA
6	800075F0250YZ	3/4-16 x 2-1/2 GR8 Hex C/S Yellow Zinc	4	EA
7	HF-1051	C950 Top Clip, Class 3.	2	EA
8	HF-1052	C950 Bottom Clip, Class 3	2	EA
9	610075F0200P	3/4-16 x 2 SHCS Plain	4	EA
10	802075N0000YZ	3/4 Hi Alloy Lock Washer Yellow Zinc	4	EA
11	SG9/16 CR X 5-1/4"	C950S Front Cover Pin	1	EA
12	HF-1085	C900 & C950 Class 3 Locating Set Screw - 1-1/2"	2	EA
13	615075F0075P	3/4-16 x 3/4" Cup Point Socket Set Screw Plain	2	EA
14	500056C0550Z	9/16-12 x 5-1/2 GR5 Hex C/S Zinc	1	EA
15	SG1 4140 X 3-3/8	C950 & C925 Cylinder Rod & Butt Pin	4	EA
16	644906S0000	.906 HD External Snap Ring	8	EA
17	613031C0350P	5/16-18 x 3-1/2 FHSCS Plain	4	EA
18	538031C0075Z	5/16-18 x 3/4 GR5 Whiz Bolt Serrated Flange, Zinc	4	EA
19	HF-1223	C950 Regen Cover Plate	1	EA
20	816056C0000Z	9/16-12 Lock Nut Zinc	1	EA
21	506009S0125Z	1/8 x 1 1/4 Cotter Pin Zinc	1	EA
22	HF-1263	C950N Center Section	1	EA
23	HF-1262	C950N Shaft Assembly 43" (Universal Part)	4	EA
24	CYL-CO275-34-1500-HF	2-3/4 x 34" Cylinder Assembly, 1-1/2" Rod	2	EA
	CYL-CO300-34-1500-HF	3 x 34" Cylinder Assembly, 1-1/2" Rod	2	EA
	CYL-CO325-34-1500-HF	3-1/4 x 34" Cylinder Assembly, 1-1/2" Rod	2	EA
25	HF-1232	C950N Front Cover Plate Assembly	1	EA

### Paddle Clamp Parts List (*cont.*)

Ref. Number	Part Number	Description	QTY	Unit Of Measure
26	HF-1151L&R	C950 Paddle Assembly Set 30 x 32	1	SET
	HF-1212L&R	C950 Paddle Assembly Set 30 x 42	1	SET
	HF-1208L&R	C950 Paddle Assembly Set 30 x 44	1	SET
	HF-1181L&R	C950 Paddle Assembly Set 30 x 46	1	SET
	HF-1200L&R	C950 Paddle Assembly Set 30 x 48	1	SET
	HF-1249L&R	C950 Paddle Assembly Set 30 x 50	1	SET
	HF-1057L&R	C950 Paddle Assembly Set 30 x 52	1	SET
	HF-1259L&R	C950 Paddle Assembly Set 30 x 54	1	SET
	HF-1306L&R	C950 Paddle Assembly Set 42 x 42	1	SET
	HF-1270L&R	C950 Paddle Assembly Set 42 x 46	1	SET
	HF-1265L&R	C950 Paddle Assembly Set 42 x 48	1	SET
	HF-1092L&R	C950 Paddle Assembly Set 42 x 52	1	SET
	HF-1333L&R	C950 Paddle Assembly Set 42 x 52	1	SET
	HF-1182L&R	C950 Paddle Assembly Set 42 x 54	1	SET
27	HPS D12902-C	C950 Hydraulic Regen Manifold	1	EA
	HPS D13172-A	C950 Hydraulic Regen//Sideshift Manifold	1	EA
	HPS D13172-B	C950 Hydraulic Regen//Sideshift Manifold	1	EA
28	BN-95001	C950 Center Section Wear Plate (Universal Part)	1	EA

### Hydraulic Block Parts List

<b>D12902C Manifold Assembly (Regeneration Only)</b>					
Ref. Number	Part Number	Description	Seal Kit	QTY	Unit Of Measure
0	D12902C	REGEN MANIFOLD ASSEMBLY	N/A	1	EA
1	E5147A	MANIFOLD BLOCK, ALUMINUM	N/A	1	EA
2	1/8 NPT PLUG	ORIFICE PLUG - DRILLED 0.020	N/A	1	EA
3	RDBA-LAN-2000 PSI	RELIEF VALVE	990-162-007	1	EA
4	CXCE-XCN	CHECK VALVE	990-011-007	1	EA
5	CKCB-XCN	P.O. CHECK VALVE	990-011-007	1	EA
6	DKFS-XHN	POPPET VALVE	990-022-007	1	EA
7	CNEC-XAN-0.125	FLOW CONTROL	990-203-007	1	EA
8	CNEC-XAN-0.125	FLOW CONTROL	990-203-007	1	EA
<b>D13172A Manifold Assembly (Regeneration + Side-shift)</b>					
Ref. Number	Part Number	Description	Seal Kit	QTY	Unit Of Measure
0	D13172A	REGEN AND SIDE-SHIFT MANIFOLD ASSEMBLY	N/A	1	EA
1	E5285	MANIFOLD BLOCK, ALUMINUM	N/A	1	EA
2	1/8 NPT PLUG	ORIFICE PLUG - DRILLED 0.020	N/A	1	EA
3	RDBA-LAN-2000 PSI	RELIEF VALVE	990-162-007	1	EA
4	CXCE-XCN	CHECK VALVE	990-011-007	1	EA
5	DKFS-XHN	POPPET VALVE	990-022-007	1	EA
6	CNEC-XAN-0.125	FLOW CONTROL	990-203-007	1	EA
7	CNEC-XAN-0.125	FLOW CONTROL	990-203-007	1	EA
8	CKCB-XCN	P.O. CHECK VALVE	990-011-007	1	EA
9	CKCB-XCN	P.O. CHECK VALVE	990-011-007	1	EA
<b>D13172B Manifold Assembly (Regeneration + Side-shift)</b>					
Ref. Number	Part Number	Description	Seal Kit	QTY	Unit Of Measure
0	D13172B	REGEN AND SIDE-SHIFT MANIFOLD ASSEMBLY	N/A	1	EA
1	E5285	MANIFOLD BLOCK, ALUMINUM	N/A	1	EA
2	1/8 NPT PLUG	ORIFICE PLUG - DRILLED 0.020	N/A	1	EA
3	XZCC-XXN	CAVITY PLUG	990-162-007	1	EA
4	CXCE-XCN	CHECK VALVE	990-011-007	1	EA
5	DKFS-XHN	POPPET VALVE	990-022-007	1	EA
6	CNEC-XAN-0.125	FLOW CONTROL	990-203-007	1	EA
7	CNEC-XAN-0.125	FLOW CONTROL	990-203-007	1	EA
8	CKCB-XCN	P.O. CHECK VALVE	990-011-007	1	EA
9	CKCB-XCN	P.O. CHECK VALVE	990-011-007	1	EA



*Manufactured by:*



**(888) 338-0077**

**[www.clerfhayclamp.com](http://www.clerfhayclamp.com)**

740 Dodge Road, Ellensburg, WA 98926