

C3000SS Model

# Parts Manual

## C3000 Series Standard Clamps

### Side-shifting, Solid Fork

---

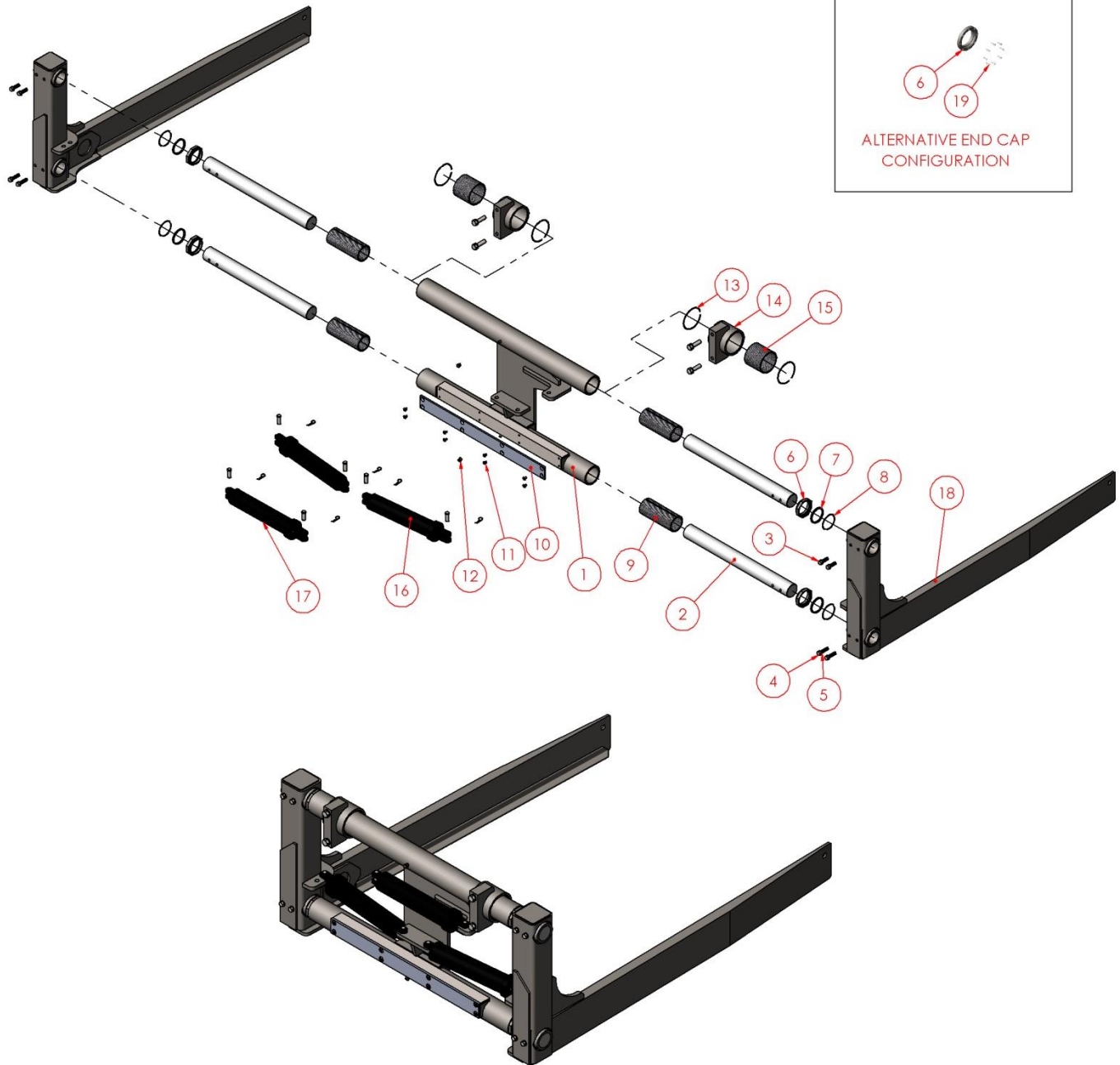
**Call:** (888) 338-0077

**Write:** 740 Dodge Road, Ellensburg, WA 98926

**Online:** [www.clerfhayclamp.com](http://www.clerfhayclamp.com)

**CLERF**<sup>TM</sup>  
HAY EQUIPMENT

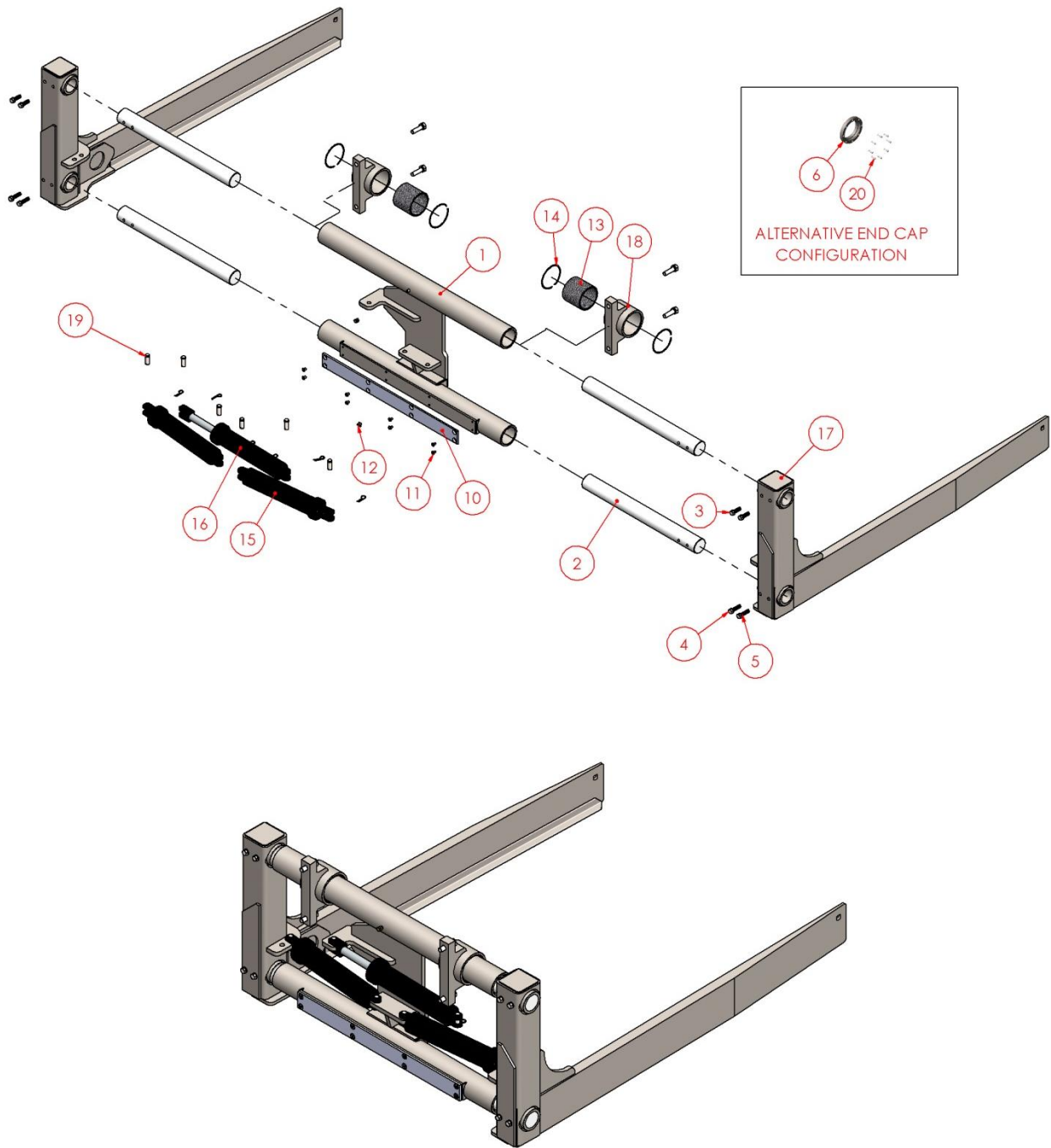
### C3000SSCL - Assembly View



### C3000SSCL - Parts List

Ref. Number	Part Number	Description	QTY	Unit Of Measure
1	HF-1067	C3000 Center Section - Clerf Side Shift	1	EA
1	Not Available	C3000 Center Section - Clerf Side Shift (Bolted Endcaps)	1	EA
2	SG4 CHROME X 40	C3000 Chrome Shaft	4	EA
3	800075F0250YZ	3/4-16 x 2-1/2 GR8 Hex C/S Yellow Zinc	4	EA
4	800075F0300YZ	3/4-16 x 3 GR8 Hex C/S Yellow Zinc	4	EA
5	802075N0000YZ	3/4 Hi Alloy Lock Washer Yellow Zinc	8	EA
6	HF-1047	C3000 Screw On End Cap	4	EA
6	HF-1345	C3000 Bolt On End Cap	4	EA
7	OT-00011	C1300 & C3000 4" Shaft Wiper Seal	4	EA
8	OT-00010	C3000 4-5/8" Steel Retaining Ring - 4" End Cap Seal Snap Ring	4	EA
9	4" COMP X 12 (THREAD)	C3000 Threaded Composition Bushing	4	EA
9	4" COMP X 12 (BOLTED)	C3000 Composition Bushing (Bolted Endcap)	4	EA
10	1/2" NYLON X 4 X 48	C3000 SS Nylon Slide Plate	1	EA
11	613050F0075P	1/2-20 x 3/4 FHSCS Plain	8	EA
12	OT-00001	Breather Vent, 3/8 NPT Male	2	EA
12	OT-00036	Breather Vent, 3/8 NPT Female	2	EA
13	OT-00032	C3000 SS Bushing Retaining Ring	4	EA
14	HF-1063	C3000 SS Trunion Set - Clerf	1	SET
15	6-1/2 X 5-3/4 COMP X 6	C3000 SS Composition Bushing	2	EA
16*	CYL-CO350-18-1500-HF	3-1/2 x 18 x 1-1/2" Clevis Cylinder	2	EA
16*	CYL-CO400-18-1750-HF	4 x 18 x 1-3/4" Clevis Cylinder	2	EA
17*	CYL-CO400-18-1750-HF	4 x 18 x 1-3/4" Clevis Cylinder (Sideshift)	1	EA
18	HF-1053L&R	C3000 Fork Assembly Set (Left & Right)	1	SET
19	610025C0087P	1/4-20 x 7/8 SHCS Plain (Bolt on End Cap)	32	EA
19	610025F0087P	1/4-28 x 7/8 SHCS Plain (Bolt on End Cap)	32	EA

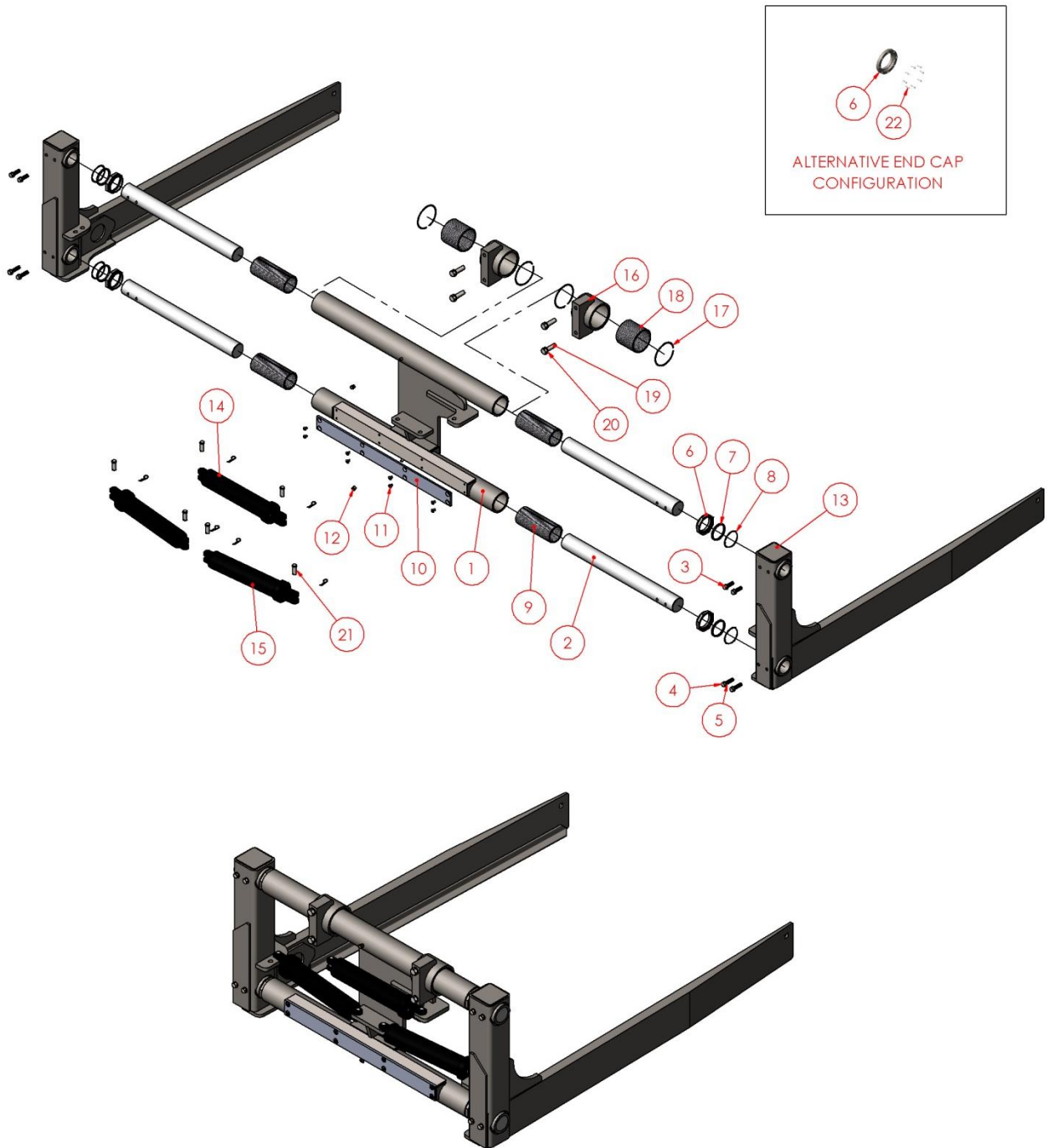
### C3000SSMA – Assembly View



### C3000SSMA – Parts List

Ref. Number	Part Number	Description	QTY	Unit Of Measure
1	HF-1068	C3000 Center Section - MA Side Shift	1	EA
1	Not Available	C3000 Center Section - MA Side Shift (Bolted Endcaps)	1	EA
2	SG4 CHROME X 40	C3000 Chrome Shaft	4	EA
3	800075F0250YZ	3/4-16 x 2-1/2 GR8 Hex C/S Yellow Zinc	4	EA
4	800075F0300YZ	3/4-16 x 3 GR8 Hex C/S Yellow Zinc	4	EA
5	802075N0000YZ	3/4 Hi Alloy Lock Washer Yellow Zinc	8	EA
6	HF-1047	C3000 Screw On End Cap	4	EA
6	HF-1345	C3000 Bolt On End Cap	4	EA
7	OT-00011	C1300 & C3000 4" Shaft Wiper Seal	4	EA
8	OT-00010	C3000 4-5/8" Steel Retaining Ring - 4" End Cap Seal Snap Ring	4	EA
9	4" COMP X 12 (THREAD)	C3000 Threaded Composition Bushing	4	EA
9	4" COMP X 12 (BOLTED)	C3000 Composition Bushing (Bolted Endcap)	4	EA
10	1/2" NYLON X 4 X 48	C3000 SS Nylon Slide Plate	1	EA
11	613050F0075P	1/2-20 x 3/4 FHSCS Plain	8	EA
12	OT-00001	C3000 Exhaust Breather (External Thread)	2	EA
12	OT-00036	Breather Vent, 3/8 NPT Female	2	EA
13	6-1/2 X 5-3/4 COMP X 6	C3000 SS Composition Bushing	2	EA
14	OT-00032	C3000 SS Bushing Retaining Ring	4	EA
15*	CYL-CO350-18-1500-HF	3-1/2 x 18 x 1-1/2" Clevis Cylinder	2	EA
15*	CYL-CO400-18-1750-HF	4 x 18 x 1-3/4" Clevis Cylinder	2	EA
16*	CYL-CO400-18-1750-HF	4 x 18 x 1-3/4" Clevis Cylinder (Sideshift)	1	EA
17	HF-1053L&R	C3000 Fork Assembly Set (Left & Right)	1	SET
18	HF-1062	C3000 SS Trunion Set - MA	1	SET
19	CYL-PIN-CH1 X 2-9/16	1 x 2.85 Chief Usable Universal Pin for 18" Cylinders Actual Pin Size 1 x 3.50	6	EA
20	610025C0087P	1/4-20 x 7/8 SHCS Plain (Bolt on Endcap only)	32	EA
20	610025F0087P	1/4-28 x 7/8 SHCS Plain (Bolt on Endcap only)	32	EA

### C3000SSSD - Assembly View



### C3000SSSD – Parts List

Ref. Number	Part Number	Description	QTY	Unit Of Measure
1	HF-1144	C3000 Center Section - SD Side Shift	1	EA
1	Not Available	C3000 Center Section - SD Side Shift (Bolted Endcaps)	1	EA
2	SG4 CHROME X 40	C3000 Chrome Shaft	4	EA
3	800075F0250YZ	3/4-16 x 2-1/2 GR8 Hex C/S Yellow Zinc	4	EA
4	800075F0300YZ	3/4-16 x 3 GR8 Hex C/S Yellow Zinc	4	EA
5	802075N0000YZ	3/4 Hi Alloy Lock Washer Yellow Zinc	8	EA
6	HF-1047	C3000 Screw On End Cap	4	EA
6	HF-1345	C3000 Bolt On End Cap	4	EA
7	OT-00011	C1300 & C3000 4" Shaft Wiper Seal	4	EA
8	OT-00010	C3000 4-5/8" Steel Retaining Ring - 4" End Cap Seal Snap Ring	4	EA
9	4" COMP X 12 (THREAD)	C3000 Composition Bushing (Threaded Endcap)	4	EA
9	4" COMP X 12 (BOLTED)	C3000 Composition Bushing (Bolted Endcap)	4	EA
10	1/2" NYLON X 4 X 48	C3000 SS Nylon Slide Plate	1	EA
11	613050F0075P	1/2-20 x 3/4 FHSCS Plain	8	EA
12	OT-00001	Breather Vent, 3/8 NPT Male	2	EA
12	OT-00036	Breather Vent, 3/8 NPT Female	2	EA
13	HF-1053L&R	C3000 Fork Assembly Set (Left & Right)	1	SET
14*	CYL-CO400-18-1750-HF	4 x 18 x 1-3/4" Clevis Cylinder (Sideshift)	1	EA
15*	CYL-CO400-18-1750-HF	4 x 18 x 1-3/4" Clevis Cylinder	2	EA
15*	CYL-CO350-18-1500-HF	3-1/2 x 18 x 1-1/2" Clevis Cylinder	2	EA
16	HF-1065	C3000 SS Trunion Set - SD	1	SET
17	OT-00032	C3000 SS Bushing Retaining Ring	4	EA
18	6-1/2 X 5-3/4 COMP X 6	C3000 SS Composition Bushing	2	EA
19	802100N0000YZ	1" Hi Alloy Lock Washer Yellow Zinc	2	EA
20	800100F0300YZ	1-14 X 3 GR8 Hex C/S Yellow Zinc	2	EA
21	CYL-PIN-CH1 X 2-9/16	1 x 2.85 Chief Usable Universal Pin for 18" Cylinders Actual P	4	EA
22	610025C0087P	1/4-20 x 7/8 SHCS Plain (Bolt on End Cap)	32	EA
22	610025F0087P	1/4-28 x 7/8 SHCS Plain (Bolt on End Cap)	32	EA



*Manufactured by:*



**(888) 338-0077**

**[www.clerfhayclamp.com](http://www.clerfhayclamp.com)**

740 Dodge Road, Ellensburg, WA 98926