

C3000NS Model

Parts Manual

C3000 Series Standard Clamps

Non Side-shifting, Solid Fork

Call: (888) 338-0077

Write: 740 Dodge Road, Ellensburg, WA 98926

Online: www.clerfhayclamp.com

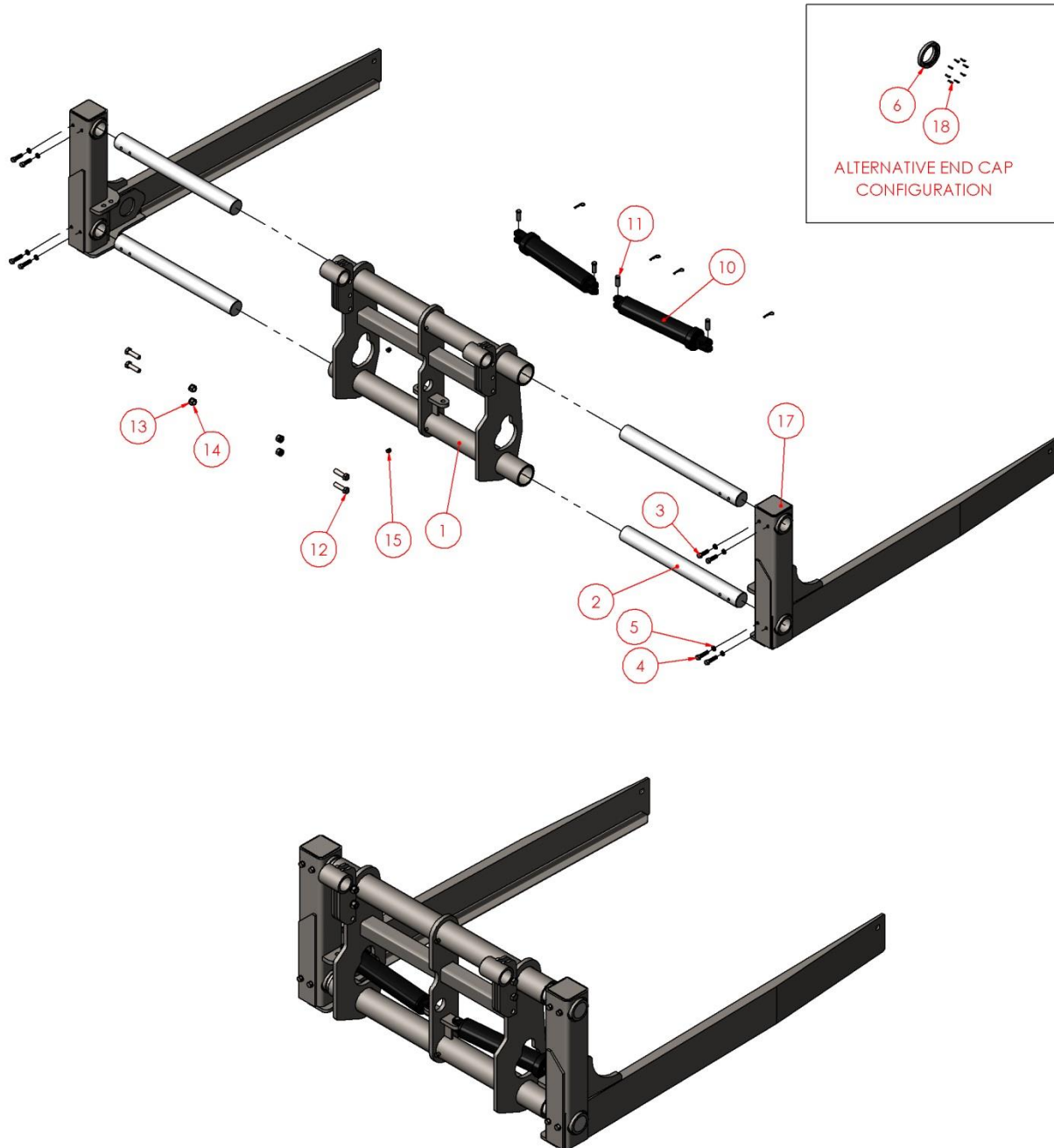
CLERFTM
HAY EQUIPMENT

Standard Clamps without Side-shift

C3000NS Parts Manual



C3000NS – Assembly View



Standard Clamps without Side-shift

C3000NS Parts Manual



C3000NS - Parts List

Ref. Number	Part Number	Description	QTY	Unit Of Measure
1	HF-1054	C3000 Non-Sideshift Center Section	1	EA
1	Not Available	C3000 Center Section - Non-Sideshift (Bolted Endcaps)	1	EA
2	SG4 CHROME X 40	C3000 Chrome Shaft	4	EA
3	800075F0250YZ	3/4-16 x 2-1/2 GR8 Hex C/S Yellow Zinc	4	EA
4	800075F0300YZ	3/4-16 x 3 GR8 Hex C/S Yellow Zinc	4	EA
5	802075N0000YZ	3/4 Hi Alloy Lock Washer Yellow Zinc	8	EA
6	HF-1047	C3000 Screw On End Cap	4	EA
6	HF-1345	C3000 Bolt On End Cap	4	EA
7	OT-00011	C1300 & C3000 4" Shaft Wiper Seal	4	EA
8	OT-00010	C3000 4-5/8" Steel Retaining Ring - 4" End Cap Seal Snap Ring	4	EA
9	4" COMP X 12 (THREAD)	C3000 Threaded Composition Bushing	4	EA
9	4" COMP X 12 (BOLTED)	C3000 Composition Bushing (Bolted Endcap)	4	EA
10*	CYL-CO350-18-1500-HF	3-1/2 x 18 x 1-1/2" Clevis Cylinder	2	EA
10*	CYL-CO400-18-1750-HF	4 x 18 x 1-3/4" Clevis Cylinder	2	EA
11	CYL-PIN-CH1 X 2-9/16	1 x 2.85 Chief Usable Universal Pin for 18" Cylinders Actual P	4	EA
12	800100C0350YZ	1-8 X 3 1/2 GR8 Hex C/S Yellow Zinc	4	EA
13	802100N0000YZ	1" Hi Alloy Lock Washer Yellow Zinc	4	EA
14	801100C0000YZ	1-8 GR8 Hex Nut Yellow Zinc	4	EA
15	OT-00001	Breather Vent, 3/8 NPT Male	2	EA
15	OT-00036	Breather Vent, 3/8 NPT Female	2	EA
16	HF-1060	C3000 NonSS Hanger - 1" Offset	1	SET
16	HF-1061	C3000 NonSS Hanger - 4-1/2" Offset	1	SET
16	HF-1115	C3000 NonSS Small Pin Hanger - 1" Offset	1	SET
16	HF-1250	C3000 6" Drop 3-1/4 Shaft, Non SS mount bracket/Pin Hanger Set for a Linde	1	SET
16	HF-1271	C3000 NonSS Pin Hanger Set For a Doosan	1	SET
17	HF-1053L&R	C3000 Fork Assembly Set (Left & Right)	1	EA
18	610025C0087P	1/4-20 x 7/8 SHCS Plain (Bolt on End Cap)	32	EA
18	610025F0087P	1/4-28 x 7/8 SHCS Plain (Bolt on End Cap)	32	EA



Manufactured by:



(888) 338-0077

www.clerfhayclamp.com

740 Dodge Road, Ellensburg, WA 98926