

C1300 Model

Parts Manual

C1300 Series Clamps

Non-sideshift, Formed Fork Clamp

Call: (888) 338-0077

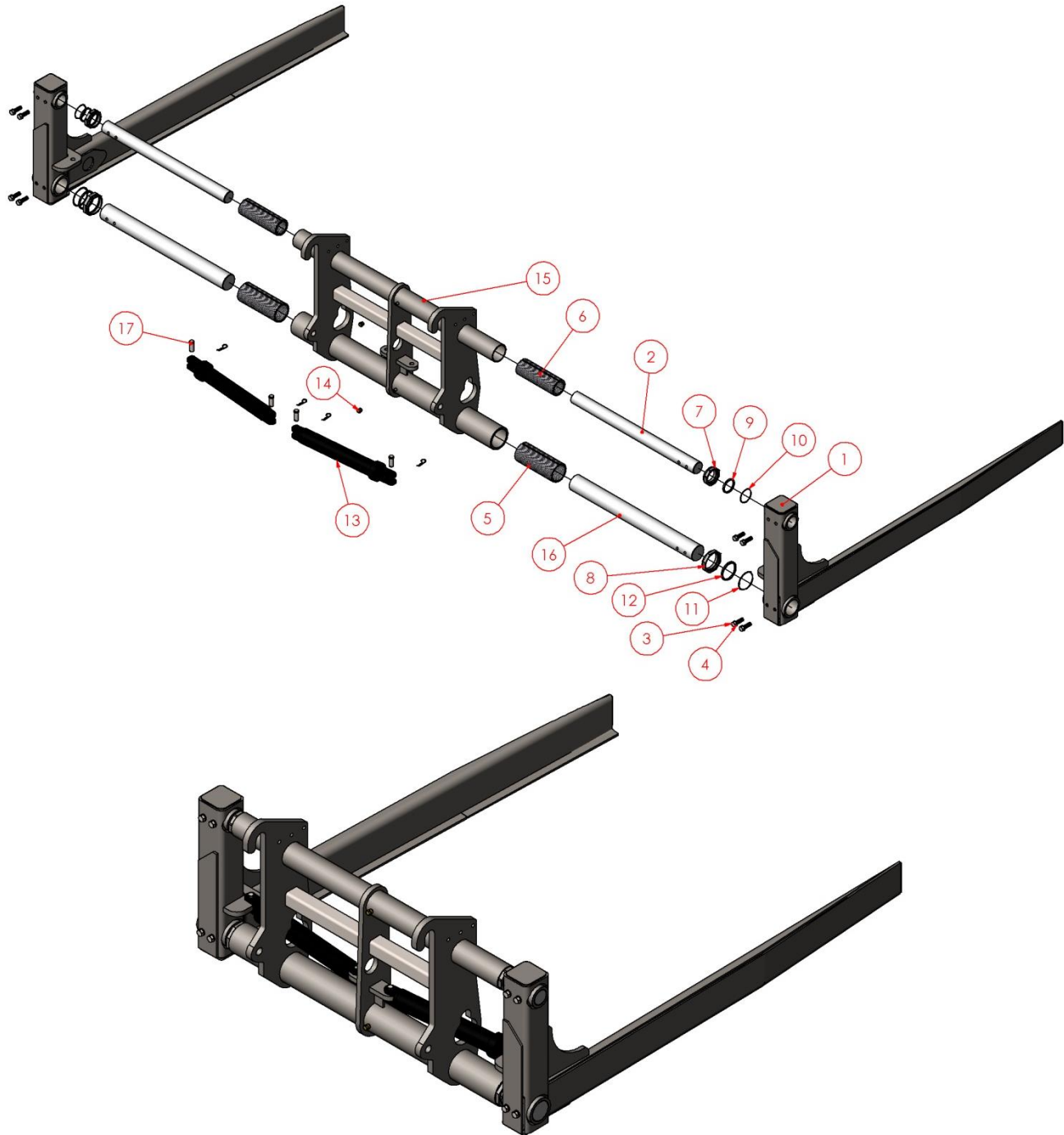
Write: 740 Dodge Road, Ellensburg, WA 98926

Online: www.clerfhayclamp.com

CLERFTM
HAY EQUIPMENT

Light-Duty Clamps

C1300 Parts Manual



Parts List

| Ref. Number | Part Number | Description | QTY | Unit Of Measure |
|-------------|-----------------------|--|-----|-----------------|
| 1 | HF-1119L&R | C1300 Fork Assembly Set (Left & Right) | 1 | SET |
| 2 | SG3 CHROME X 40 | C1300 Chrome Top Shaft | 2 | EA |
| 3 | 800075F0250YZ | 3/4-16 x 2-1/2 GR8 Hex C/S Yellow Zinc | 8 | EA |
| 4 | 802075N0000YZ | 3/4 Hi Alloy Lock Washer Yellow Zinc | 8 | EA |
| 5 | 4" COMP X 12 (THREAD) | C3000 Threaded Composition Bushing | 2 | EA |
| 6 | 3" COMP X12 | C1300 3" Composition Bushing | 2 | EA |
| 7 | HF-1048 | C1300 Screw on End Cap | 2 | EA |
| 8 | HF-1047 | C3000 Screw On End Cap | 2 | EA |
| 9 | OT-00007 | C1300 3" Shaft Wiper Seal | 2 | EA |
| 10 | OT-00006 | 3-1/2" Steel Retaining Ring - 3" End Cap Seal Retaining Ring | 2 | EA |
| 11 | OT-00010 | C3000 4-5/8" Steel Retaining Ring - 4" End Cap Seal Snap Ring | 2 | EA |
| 12 | OT-00011 | C1300 & C3000 4" Shaft Wiper Seal | 2 | EA |
| 13 | CYL-SW300-18-1250 | 3 x 18" Cylinder, 1-1/4" Rod | 2 | EA |
| 14 | OT-00001 | Breather Vent, 3/8 NPT Male | 2 | EA |
| 14 | OT-00036 | Breather Vent, 3/8 NPT Female | 2 | EA |
| 15 | HF-1237 | C1300 NonSS Center Section (Specify Hookup) | 1 | EA |
| 16 | SG4 CHROME X 40 C1300 | C1300 Chrome Bottom Shaft | 2 | EA |
| 17 | CYL-PIN-CH1 X 2-9/16 | 1 x 2.85 Chief Usable Universal Pin for 18" Cylinders Actual Pin Size 1 x 3.50 | 6 | EA |



Manufactured by:



(888) 338-0077

www.clerfhayclamp.com

740 Dodge Road, Ellensburg, WA 98926