

Forward Bin Dumper



Benefits

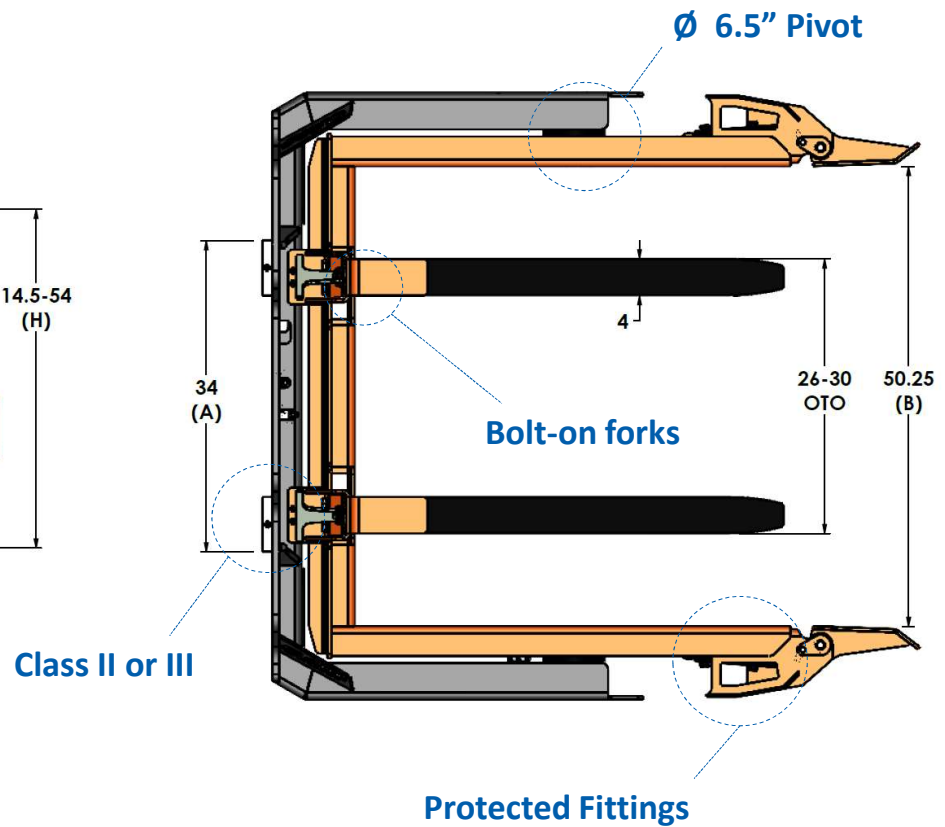
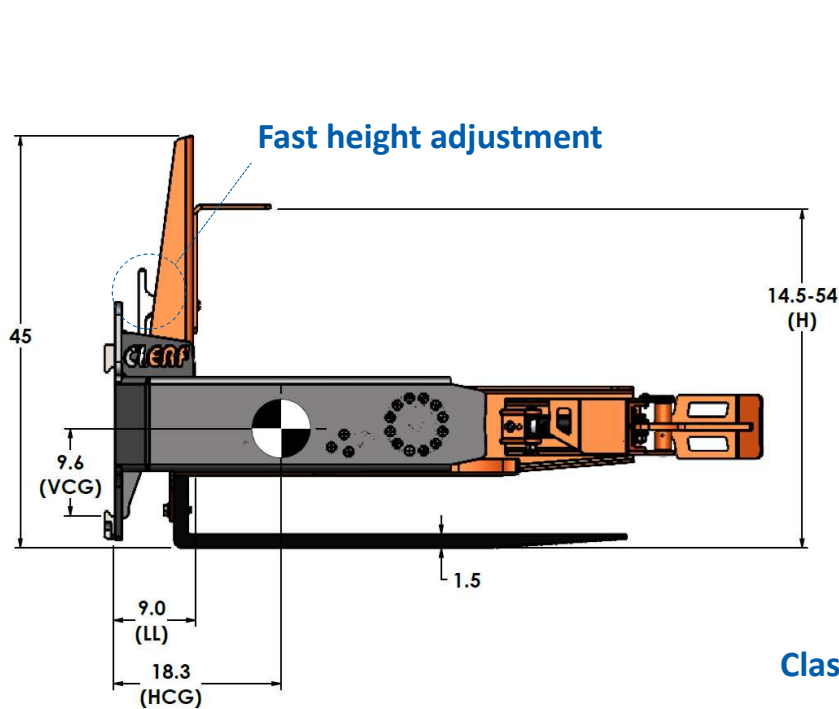
- **Long lasting:** Built to last without self-destructing
- **Easy to maintain:** Replacing bolt-on parts is fast and affordable
- **Fast dumping:** Sticky loads come out quickly with more rotation
- **Universal:** Handle 12-48" bins with a single attachment
- **Safe for food:** Top bin stops do not break off into hoppers
- **Versatile:** The same unit fits on both Class II and III carriages

CLERF™



Specifications

Model No.	Capacity @ 24" LC	Truck Class	Carriage Width (A)	Weight	Load	HCG	VCG	Rotation	Inside Arms (B)	Bin Sizes		
										Depth	Width	Height
F475C	4,000 lbs	II or III	34"	1,370 lbs	9.0"	18.3"	9.6"	150°	50.25"	48"	48"	12-48"



Forward Bin Dumper

Clerf Equipment | (888) 338-0077 | goclerf.com