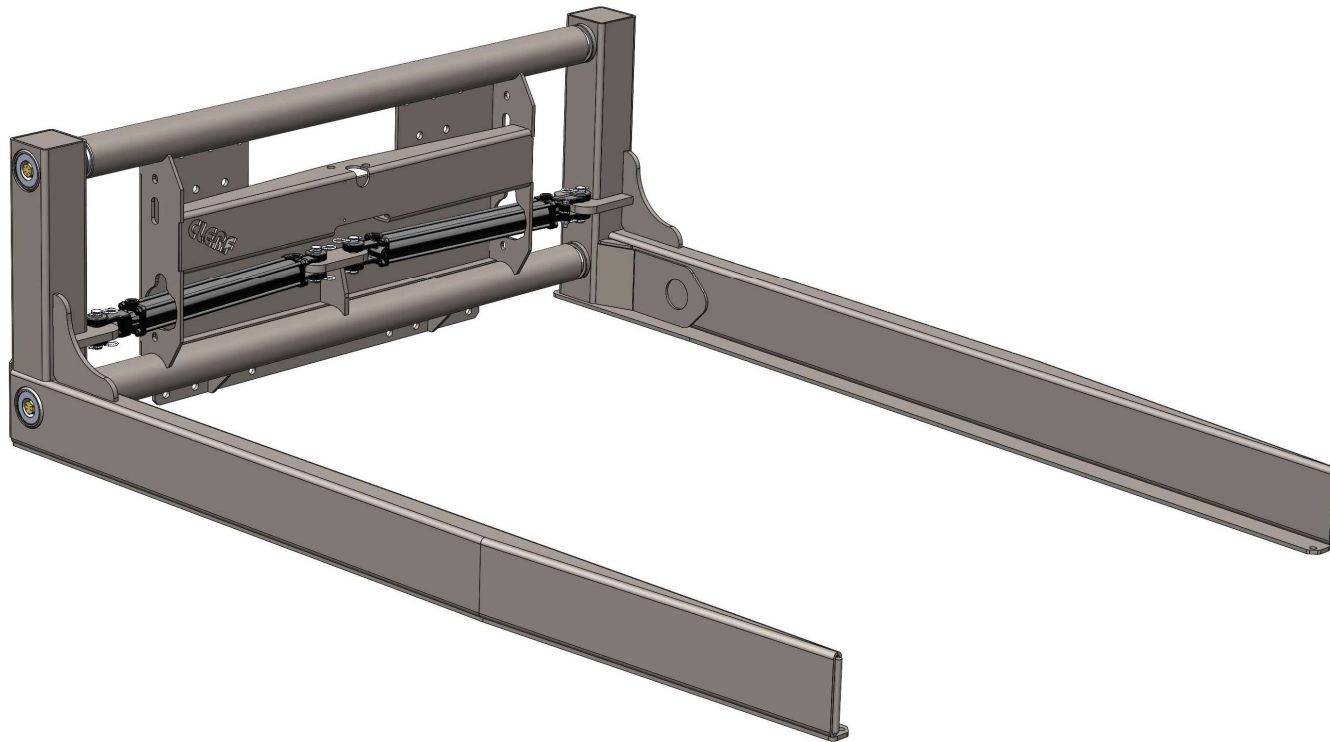


# EC1050 Fork Clamp

**CLERF**™

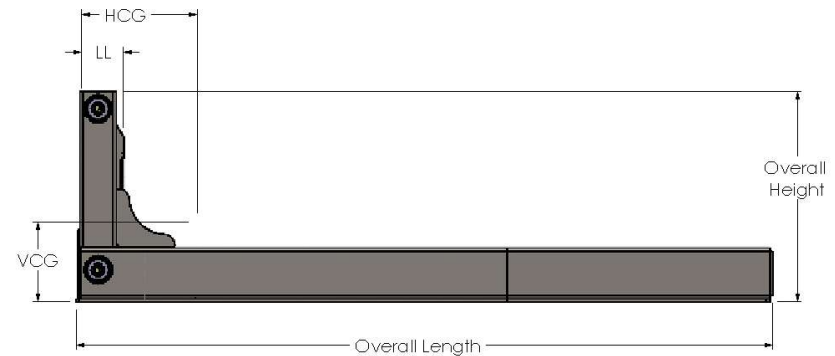
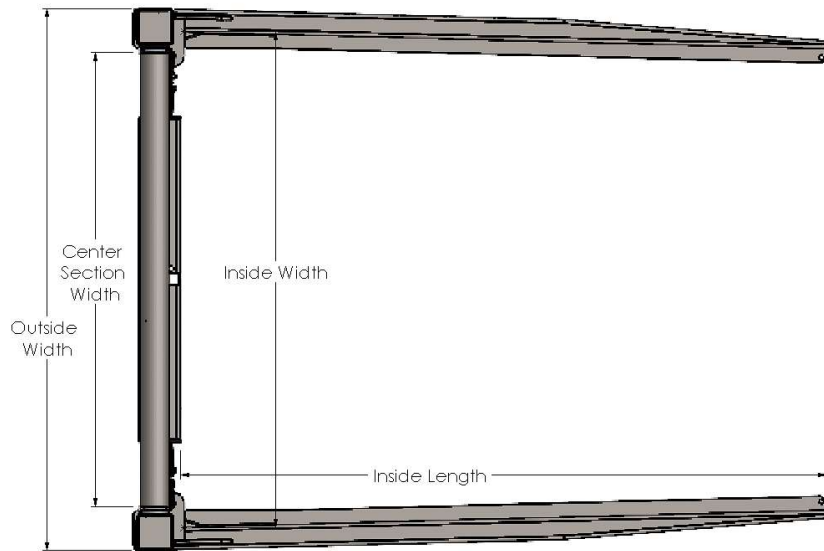


## Benefits

- **Lightweight:** Designed for use on smaller equipment
- **Fast:** Handles multiple layers of small bales
- **Strong:** Engineered for strength where it counts
- **Versatile:** Attaches to any skid steer, telehandler or forklift
- **Simple:** Easy installation

# Specifications

Model	Capacity		Center Section		HCG	VCG	Inside Length	Inside Width Range	Outside Width Range	Overall Height	Overall Length
	@ LC	LC	LL	Weight							
EC1045	4,000 lbs.	48"	5.75"	950 lbs.	11.48"	11.49"	71"	67.5-103.5"	74-110"	29"	77"
EC1050	4,000 lbs.	48"	5.75"	1,020 lbs.	15.81"	10.95"	89"	67.5-103.5"	74-110"	29"	95"
EC1055	4,000 lbs.	48"	5.75"	1,060 lbs.	62"	19.1"	101"	67.5-103.5"	74-110"	29"	107"



## EC1050 Fork Clamp

Clerf Equipment | (888) 338-0077 | [goclerf.com](http://goclerf.com)